



CLIP top BLUMOTION CRISTALLO

Technical data sheet

www.blum.com

 **blum**[®]

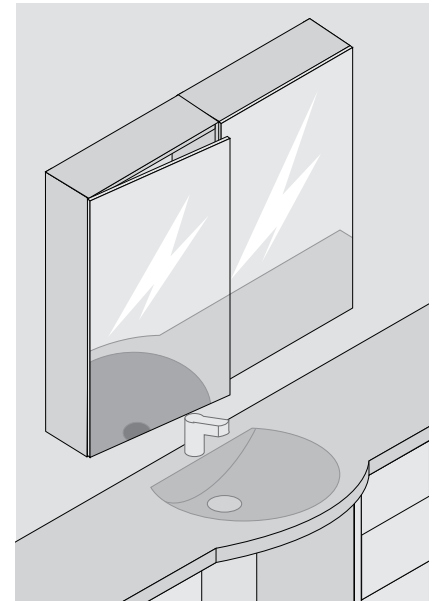
CLIP top BLUMOTION CRISTALLO



Order specification



- Hinge for glass and mirror doors
- Adhesion plate is glued on to the front (no glass drilling necessary)
- Tool-free hinge to adhesion plate assembly
- CLIP top BLUMOTION with integrated BLUMOTION (and deactivation option)
- CLIP top with or without closing mechanism (spring)
- 110° opening angle
- 3-dimensional front adjustment
- Tool-free front to cabinet assembly and removal
- 0-protrusion: Position of front at opening angle 110°



Overlay application, dual application, inset application				CRISTALLO 110°	
Boss	Hinge	Spring	Colour	Part no.	
	CLIP top BLUMOTION	●	NI ONS	71B4500C	
	CLIP top	●	NI	71T4500C	
	CLIP top	○	NI	70T4500CTL	
●	With spring		NI	Nickel plated	
○	Unsprung		ONS	Onyx black	

CRISTALLO adhesion plate		
Glue-on		
Front material	Colour	Part no.
Glass/mirror	Matt-nickel plated	70T4568C
Mirror	Special nickel plated	70T4568C

Accessories			
Print/Stamp	Logo	Colour	Part no.
Plain	–	NI ONS	70.4503
Stamped	Blum	NI	70.4503.BP

Opening angle stop		
Opening angle	Colour	Part no.
85°	Dark grey	70T4503
92°	R7037 dust grey	70T4503.09

The different overlay applications can be achieved with the appropriate adhesion positions.

Disclaimer of liability

If the Blum fittings are installed according to instructions and on suitable glass and mirror fronts, they will meet the requirements concerning the stability of the connection.

This is monitored through internal and external testing.

As the adhesive and/or the adhesive process are beyond our control, Blum cannot accept liability for claims arising from the failure or malfunction of this/these process/es.

It is recommended that the adhesive be applied by an experienced glass manufacturer.

CLIP top BLUMOTION CRISTALLO



Planning

Hinge dimensions and gap calculation based on factory setting (mounting plate spacing = 0 mm)

Front protrusion at 90° opening angle

Overlay application	Dual application	Inset application
A Cabinet front edge to centre of mounting plate drilling	A Cabinet front edge to centre of mounting plate drilling	A Cabinet front edge to centre of mounting plate drilling
20 mm with mounting plate A20	20 mm with mounting plate A20	21.5 mm + front thickn. FD with mounting plate A20
37 mm with mounting plate A37	37 mm with mounting plate A37	38.5 mm + front thickn. FD with mounting plate A37
FA Front overlay	FA Front overlay	

Front Overlay in mm (FA) in relation to Distance K

Front Overlay in mm (FA)	
MD	-3.5 -3 -2.5 -2 -1.5 -1 2.5 4 5.5 7 8.5 10 11.5 13 14.5 16 17.5 19
0	0 0.5 1 1.5 2 2.5 6 7.5 9 10.5 12 13.5 15 16.5 18 19.5 21 22.5
3	3 3.5 4 4.5 5 5.5 9 10.5 12 13.5 15 16.5 18 19.5 21 22.5
6	6 6.5 7 7.5 8 8.5 12 13.5 15 16.5 18 19.5 21 22.5
9	9 9.5 10 10.5 11 11.5 15 16.5 18 19.5 21 22.5
MD	Mounting plate spacing (mm)

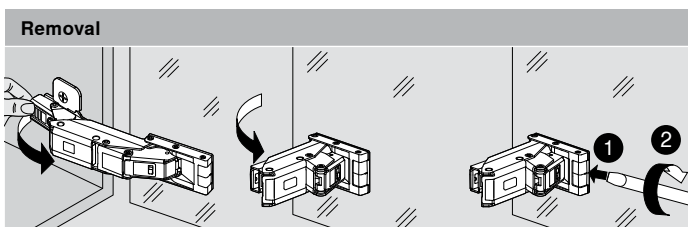
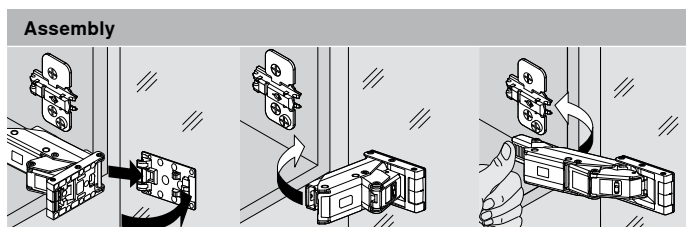
Due to the risk of breakage to glass and mirror doors, sufficient gaps are required on all four edges (recommendation: min. 2 mm).

Distance K	
FA Front overlay	KT Adhesion plate distance
K Distance K	
MD Mounting plate spacing (mm)	
$K = FA + 3.5 \text{ mm} + MD$	

Adjustment		
max. ±3.0 mm See mounting plates	±2.0 mm	+3.0 mm -2.0 mm

Note

Please contact your glass or front supplier concerning the selection and use of the adhesive in attaching the mounting/adhesive plate to glass and mirrors.



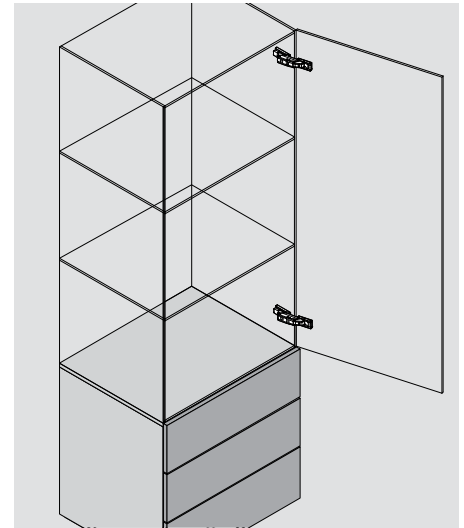
CLIP top BLUMOTION CRISTALLO



Order specification Glass display cabinets



- Hinge for glass display cabinets
- Mounting/adhesion plate is glued on (no glass drilling necessary)
- CLIP top BLUMOTION with integrated BLUMOTION (and deactivation option)
- CLIP top with or without closing mechanism (spring)
- 110° opening angle
- 3-dimensional front adjustment
- Tool-free front to cabinet assembly and removal



Inset application



Boss		CRISTALLO 110°		
Hinge	Spring	Colour	Part no.	
CLIP top BLUMOTION	●	NI ONS	71B4500C	
CLIP top	●	NI	71T4500C	
CLIP top	○	NI	70T4500CTL	
●	With spring	NI	Nickel plated	
○	Unsprung	ONS	Onyx black	

CRISTALLO adhesion plate		Glue-on	
Front material	Colour	Part no.	
Glass/mirror	Matt-nickel plated	70T4568C	
Mirror	Special nickel plated	70T4568C	

CRISTALLO mounting plate		Glue-on	
Front material	Colour	Part no.	
Glass/mirror	Matt-nickel plated	175M4C20N	

Accessories

Hinge arm cover cap			
Print/Stamp	Logo	Colour	Part no.
Plain	–	NI ONS	70.4503
Stamped	Blum	NI	70.4503.BP

Opening angle stop		
Opening angle	Colour	Part no.
85°	Dark grey	70T4503
92°	R7037 dust grey	70T4503.09

Disclaimer of liability

If the Blum fittings are installed according to instructions and on suitable glass and mirror fronts, they will meet the requirements concerning the stability of the connection.

This is monitored through internal and external testing.

As the adhesive and/or the adhesive process are beyond our control, Blum cannot accept liability for claims arising from the failure or malfunction of this/these process/es.

It is recommended that the adhesive be applied by an experienced glass manufacturer.

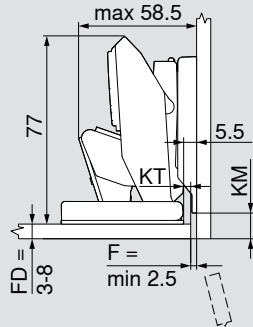
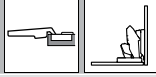
CLIP top BLUMOTION CRISTALLO



Planning Glass display cabinets

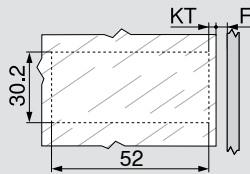
Hinge dimensions and gap calculation based on factory setting (mounting plate spacing = 0 mm)

Inset application



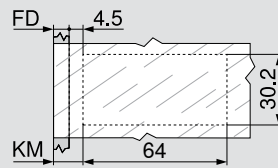
FD	Front thickness
F	Gap
KM	Mounting plate distance
KT	Adhesion plate distance

Adhesion plate distance



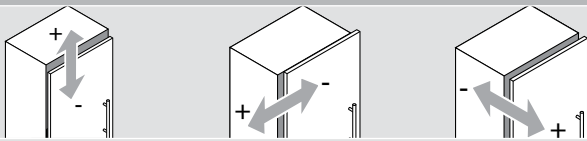
F	Gap
KT	Adhesion plate distance
KT = 5.5 mm – F	

Mounting plate distance



FD	Front thickness
KM	Mounting plate distance
KM = FD + 4.5 mm	

Adjustment

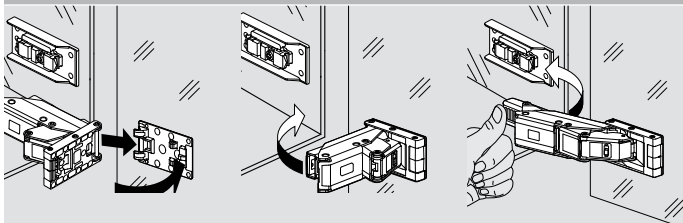


Max. ±2.0 mm ±2.0 mm +3.0 mm
-2.0 mm

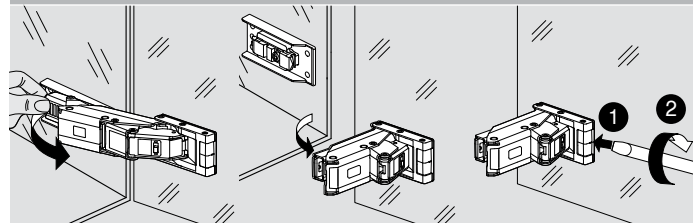
Note

Please contact your glass or front supplier concerning the selection and use of the adhesive in attaching the mounting/adhesive plate to glass and mirrors.

Assembly



Removal



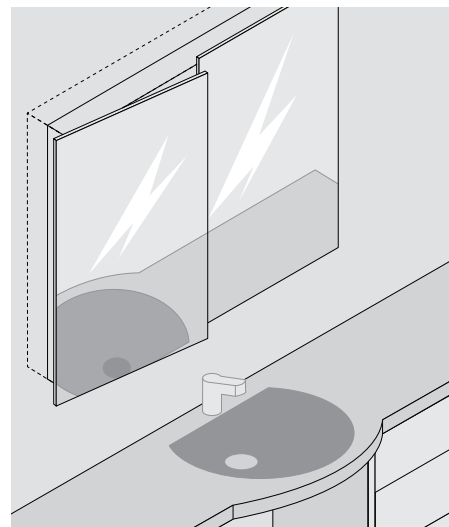
CLIP top BLUMOTION CRISTALLO



Order specification Bathroom mirror cabinets with fronts that protrude all the way around



- Mounting plate is glued on to the front
- Boss hole on the cabinet
- CLIP top BLUMOTION with integrated BLUMOTION (and deactivation option)
- CLIP top without closing mechanism (spring)
- Opening angle 95°
- 3-dimensional front adjustment
- Tool-free front to cabinet assembly and removal
- With INSERTA tool-free hinge to door assembly



Hinge with double cranked hinge arm				
Boss		INSERTA		
Hinge	Spring	Colour	Part no.	
CLIP top BLUMOTION	●	NI	71B9790	
●	With spring	NI	Nickel plated	
○	Unsprung			

Boss		Screw-on		
Hinge	Spring	Colour	Part no.	
CLIP top BLUMOTION	●	NI	71B9750	
CLIP top	○	NI	70T9750.TL	

CRISTALLO mounting plate		
Glue-on		
Front material	Colour	Part no.
Glass/mirror	Matt-nickel plated	175M4C20N

Accessories			
Hinge arm cover cap			
Print/Stamp	Logo	Colour	Part no.
Plain	–	NI ONS	70.1663
Stamped	Blum	NI	70.1663.BP

Accessories	
Hinge	Part no.
CLIP top BLUMOTION	70T3504
CLIP top	70T1504

Chipboard screw		
Ø (mm)	Length (mm)	Part no.
3.5	15	609.1500
3.5	17	609.1700

Disclaimer of liability

If the Blum fittings are installed according to instructions and on suitable glass and mirror fronts, they will meet the requirements concerning the stability of the connection.

This is monitored through internal and external testing.

As the adhesive and/or the adhesive process are beyond our control, Blum cannot accept liability for claims arising from the failure or malfunction of this/these process/es.

It is recommended that the adhesive be applied by an experienced glass manufacturer.

Note

Only recommended for wall cabinets due to lower load bearing limits!

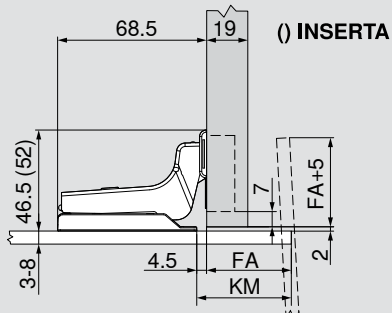
CLIP top BLUMOTION CRISTALLO



Planning Bathroom mirror cabinets with fronts that protrude all the way around

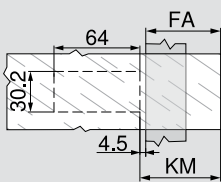
Hinge dimensions and gap calculation based on factory setting (mounting plate 175M4C20N)

Hinge with double cranked arm



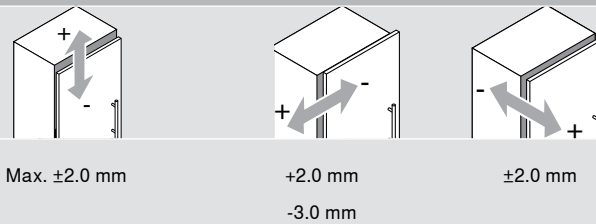
FA	Front overlay
KM	Mounting plate distance

Distance K



FA	Front overlay
	FA = max. 70 mm
KM	Mounting plate distance
	KM = FA + 4.5 mm

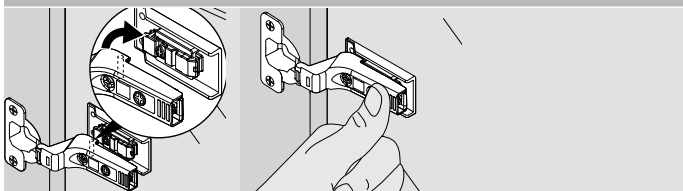
Adjustment



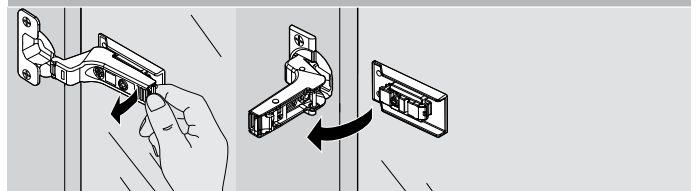
Note

Please contact your glass or front supplier concerning the selection and use of the adhesive in attaching the mounting/adhesive plate to glass and mirrors.

Assembly



Removal



CLIP top BLUMOTION CRISTALLO



Order specification Angled application



- Hinge for glass and mirror doors
- Adhesion plate is glued on to the front (no glass drilling necessary)
- Tool-free hinge to adhesion plate assembly
- CLIP top BLUMOTION with integrated BLUMOTION (and deactivation option)
- CLIP top with or without closing mechanism (spring)
- 110° opening angle
- 3-dimensional front adjustment
- Tool-free front to cabinet assembly and removal

Page instructions					
WA	Angle	WA	Angle		
	-5°		5°	10°	15°
	No 106		No 103	No 104	No 105
	8		8	9	9
	No 107		No 100	No 101	No 102
	8		9	9	9

WA angled application

Boss		CRISTALLO 110°	
Hinge	Spring	Colour	Part no.
CLIP top BLUMOTION	●	NI	71B4500C
CLIP top	●	NI	71T4500C
CLIP top	○	NI	70T4500CTL
●	With spring	NI	Nickel plated
○	Unsprung		

Accessories			
Hinge arm cover cap			
Print/Stamp	Logo	Colour	Part no.
Plain	–	NI ONS	70.4503
Stamped	Blum	NI	70.4503.BP

CRISTALLO adhesion plate		
Glue-on		
Front material	Colour	Part no.
Glass/mirror	Matt-nickel plated	70T4568C
Mirror	Special nickel plated	70T4568C

Disclaimer of liability

If the Blum fittings are installed according to instructions and on suitable glass and mirror fronts, they will meet the requirements concerning the stability of the connection.

This is monitored through internal and external testing.

As the adhesive and/or the adhesive process are beyond our control, Blum cannot accept liability for claims arising from the failure or malfunction of this/these process/es.

It is recommended that the adhesive be applied by an experienced glass manufacturer.

Note

These dimensions are based on a factory setting of 19mm side panels. The overlay application changes in cases of variance. A trial application is recommended. The fixing position of the mounting plate can be different from the standard fixing position.

No 106		
-5°		
Description	Spacing (mm)	Part no.
Mounting plate	0	173H7100
Angled spacer	-5° 1 x	171A5500

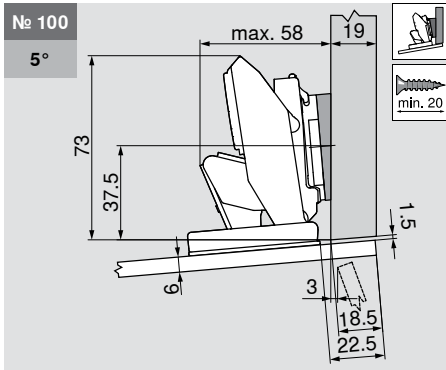
No 107		
-5°		
Description	Spacing (mm)	Part no.
Mounting plate	0	173H7100
Angled spacer	-5° 1 x	171A5500

No 103		
5°		
Description	Spacing (mm)	Part no.
Mounting plate	0	173H7100
Angled spacer	+5° 1 x	171A5010

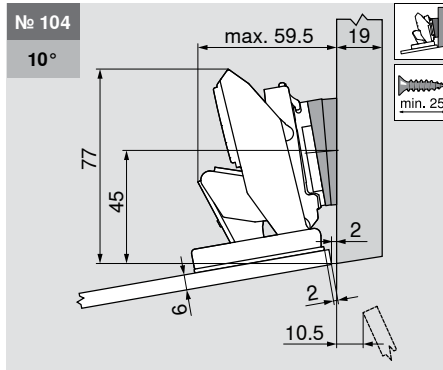
CLIP top BLUMOTION CRISTALLO



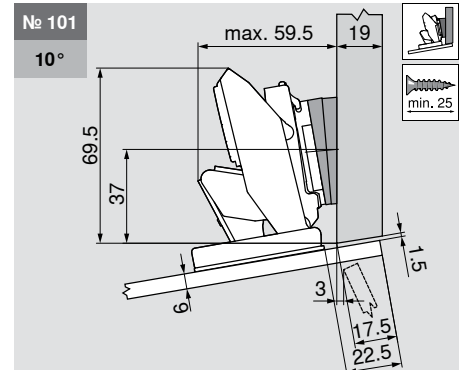
Planning Angled application



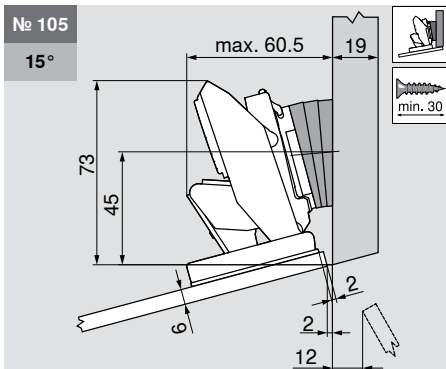
Description	Spacing (mm)	Part no.
Mounting plate	0	173H7100
Angled spacer	+5° 1 x	171A5010



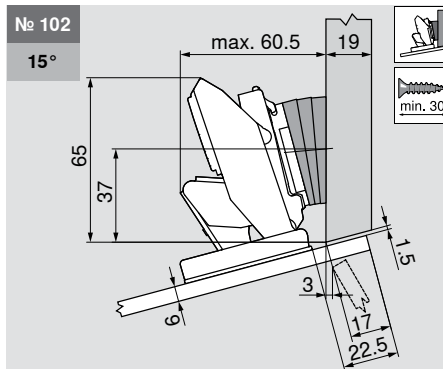
Description	Spacing (mm)	Part no.
Mounting plate	0	173H7100
Angled spacer	+5° 2 x	171A5010



Description	Spacing (mm)	Part no.
Mounting plate	0	173H7100
Angled spacer	+5° 2 x	171A5010



Description	Spacing (mm)	Part no.
Mounting plate	0	173H7100
Angled spacer	+5° 3 x	171A5010

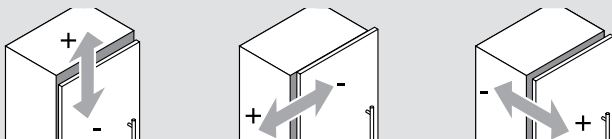


Description	Spacing (mm)	Part no.
Mounting plate	0	173H7100
Angled spacer	+5° 3 x	171A5010

Note

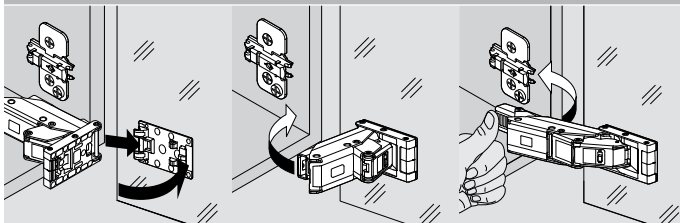
Please contact your glass or front supplier concerning the selection and use of the adhesive in attaching the mounting/adhesive plate to glass and mirrors.

Adjustment



See mounting plates

Assembly



Removal

