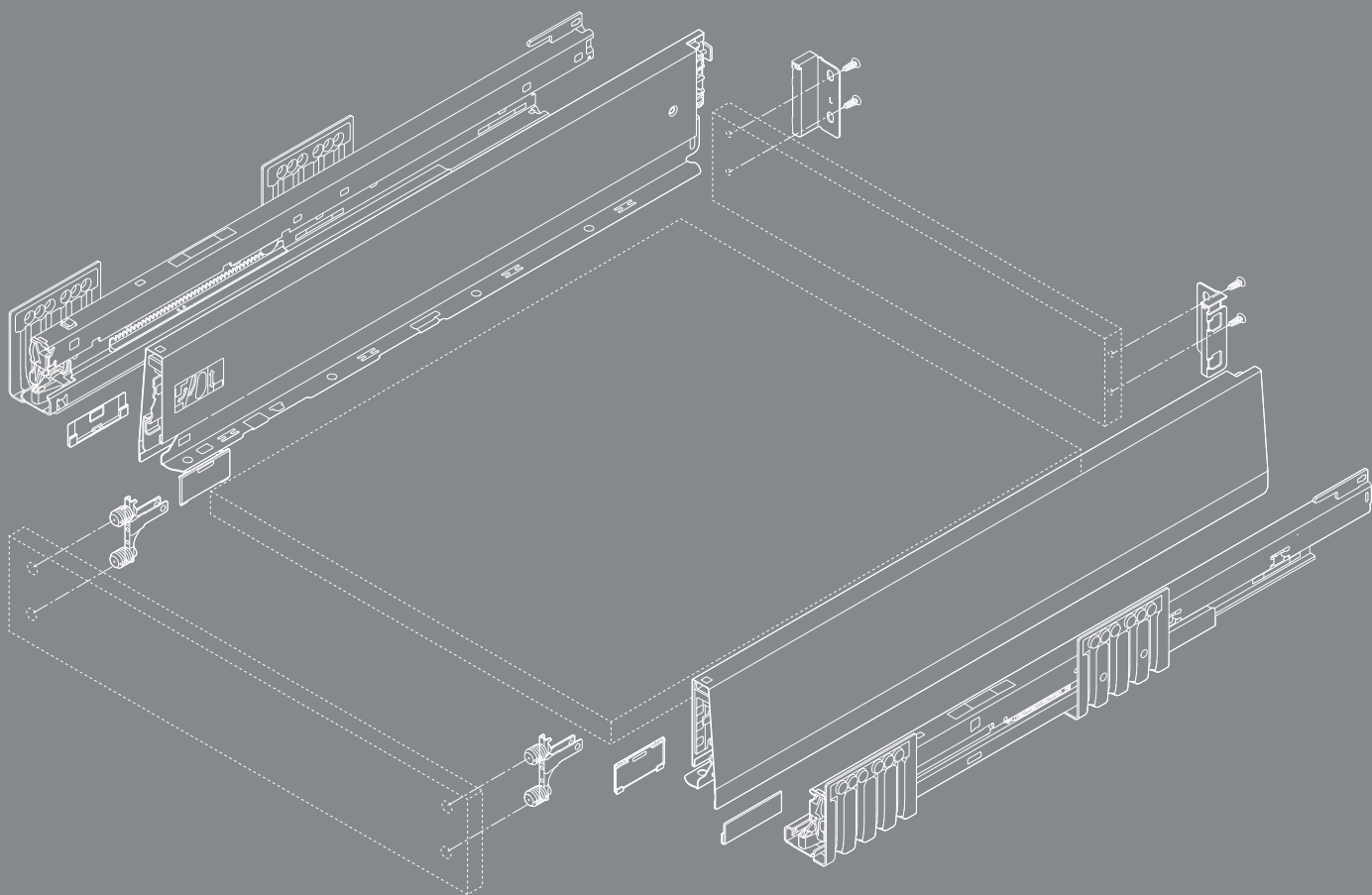


# MERIVOBX

## Ordering and planning information



Let's create –  
The box platform  
for your ideas





## Contents

- 06** Overview of the product range
- 08** Drawer – height N
- 12** Drawer – height M
- 16** Inner drawer – height M
- 20** Drawer – height K
- 24** Inner drawer – height K
- High fronted pull-out – height E**
- 28** – MERIVOBOX modular with gallery
- 32** – MERIVOBOX modular with BOXCOVER
- 36** – MERIVOBOX modular with BOXCAP
- Inner pull-out – height E**
- 40** – Front piece with gallery
- 44** – Front piece with design element
- 48** Sink pull-out – height M
- 52** Sink pull-out – height E
- 58** Cabinet profile with over extension  
for waste bin applications
- 60** Accessories
- 62** Assembly devices
- 64** SERVO-DRIVE
- 96** TIP-ON BLUMOTION
- 99** Cutting dimensions for cutlery insert / non-slip mat
- 100** AMBIA-LINE

# Innovation drivers



## Platform

It takes just a few components to create your own extensive range. And you can make furniture manufacturing even more efficient at the same time. Diverse and yet simple.

## Design

MERIVOBX boasts straight lines and a striking look. Create your own diverse and unmistakable range of furniture! Modern minimalism meets distinctive design.

## Functionality

MERIVOBX will inspire your customers for the lifetime of the furniture. The newly developed cabinet profile concept delivers extremely smooth running action and high load bearing capacity – coupled with a feather-light glide and enhanced stability.

## Assembly

A well-thought-out concept. No matter which model you opt for, assembly is always simple and adjustment always the same. It is extremely easy to achieve precise results.

# Our services at a glance

Our services support you throughout your entire process – from planning, to design, all the way through to manufacturing. Take advantage of our tried-and-tested and user-friendly services for your projects with MERIVOBX.



## Concept, planning, quotation

Configure and save your MERIVOBX projects effortlessly online. Our Product and Cabinet Configurator provides you with checked and complete parts lists.



## Design

Our Product and Cabinet Configurator supports you in the configuration of furniture and matching MERIVOBX fittings. Our CAD/CAM Data Service provides you with data on MERIVOBX in the most common formats for your design.



## Ordering

Simply transfer your parts lists from the Product and Cabinet Configurator directly to the webshop of selected distributors. To make it easy to order your MERIVOBX configuration, you can manage your different projects and order lists with ease under "My projects" and "My order lists".



## Manufacturing

Use our configurators and appropriate assembly devices to accelerate your production process. Simply use the BXF interface and EASYSTICK to transfer your planning results to MINIPRESS.



Find out more about our  
E-SERVICES:  
[www.blum.com/e-services](http://www.blum.com/e-services)



Register now free of charge to  
take advantage of E-SERVICES.  
[e-services.blum.com](http://e-services.blum.com)

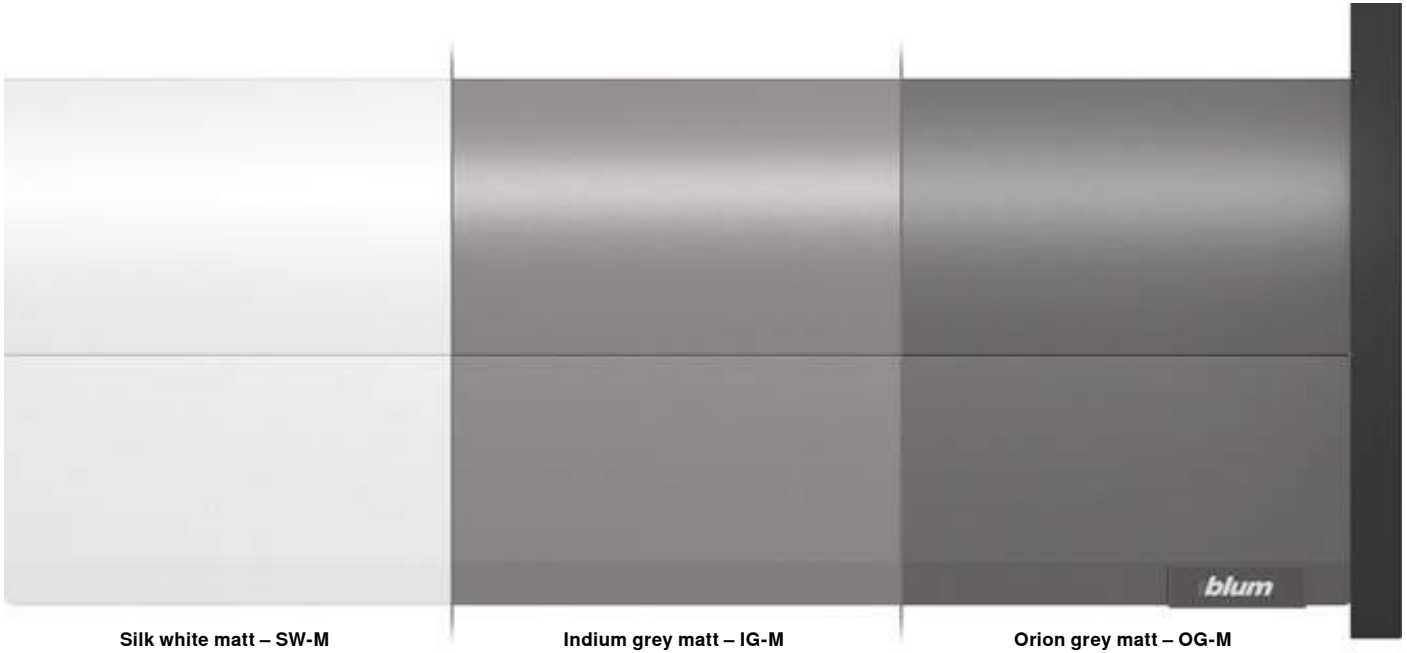
## Our range at a glance



### Facts

- Steel drawer sides in silk white matt, indium grey matt and orion grey matt
- Distinctive drawer side design
- Straight on the inside with flush cover cap
- Synchronised feather-light glide
- Insert the front in the holding position and simply clip on (easy attachment even if pull-out is already in place)
- 3-dimensional front adjustment

Colour range

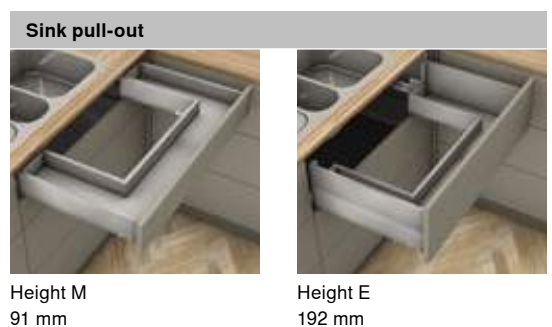


Silk white matt – SW-M

Indium grey matt – IG-M

Orion grey matt – OG-M

Drawer side heights



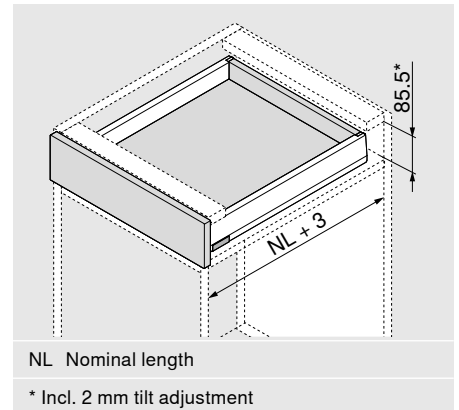
### Product



### Description

- BLUMOTION cabinet profile for all applications with interface for TIP-ON BLUMOTION and side stabiliser
- Can be combined with SERVO-DRIVE

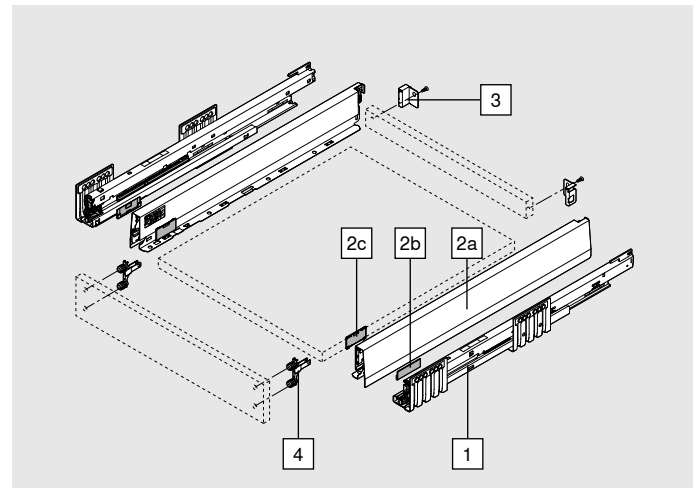
### Space requirement



### Ordering information

1	Cabinet profile left/right	
	Nominal length NL (mm)	BLUMOTION* 40 kg
	400	450.4001B
	450	450.4501B
	500	450.5001B
	550	450.5501B

\* Suitable for SERVO-DRIVE and TIP-ON BLUMOTION



2	Drawer side set			
	Height of drawer side (mm)	N	68.5	
	Nominal length NL (mm)	SW-M	IG-M	OG-M
	400		470N4002S	
	450		470N4502S	
	500		470N5002S	
	550		470N5502S	

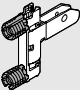
#### Consisting of:

2a	1 x	Drawer side left/right
2b	2 x	Branding element, stamped with Blum logo, custom printed from 1000 pcs
2c	2 x	Cover caps




3	Chipboard back fixings left/right		
	Height	Material	
	N	Steel	
			ZB4N000S



## Ordering information

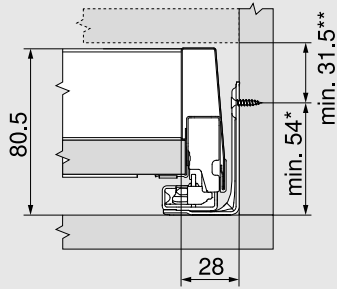
	<b>4</b>	<b>Front fixing bracket</b>		
	<b>Fixing method</b>			
	EXPANDO T		2 x	ZF4.10T2
	INSERTA		2 x	ZF4.10I2
		Screw-on*	2 x	ZF4.1002
* Screws not included in scope of delivery				
EXPANDO T suitable for thin fronts – see page 61				

## Accessories

Chipboard screw				
	Ø (mm)	Length (mm)		
	3.5	15	For connecting the cabinet profile to the cabinet	609.1500
	3.5	17	For front fixing bracket (screw-on)	609.1700
Fixing screw (flat head screw)				
	Ø (mm)	Length (mm)	Maximum screw head height: 2 mm	
	3.5	15	For the connection of chipboard back fixings with chipboard back and drawer sides with drawer base	61R.1500
In order to achieve optimal assembly, we recommend that you use flat head screws for the chipboard back and drawer side				
System screws				
	Ø (mm)	Length (mm)		
	6	14.5	For connecting the cabinet profile to the cabinet	661.1450.HG

Planning

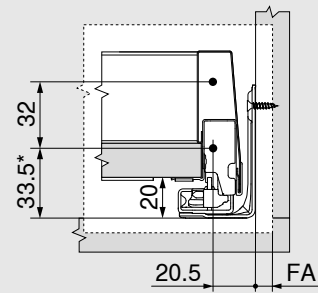
Space requirements in the cabinet



\* + 1 mm if cabinet profile is installed before cabinet is assembled

\*\* Incl. 2 mm tilt adjustment

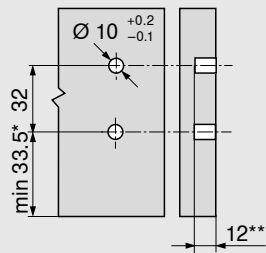
Front installation dimensions for screw-on assembly



\* + 1 mm if cabinet profile is installed before cabinet is assembled

FA Front overlay

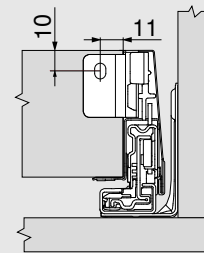
Front drilling distances for INSERTA/EXPANDO T



\* + 1 mm if cabinet profile is installed before cabinet is assembled

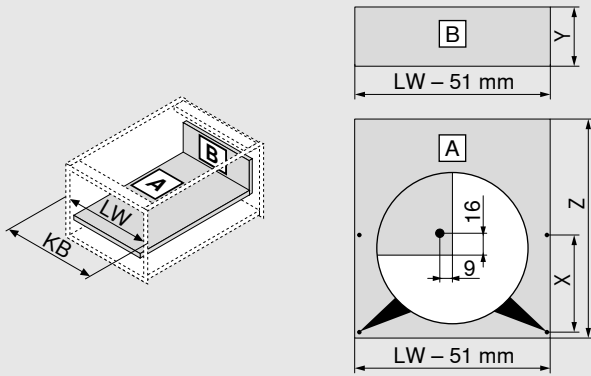
\*\* min. 6 mm for EXPANDO T

Back installation dimensions



**Planning**

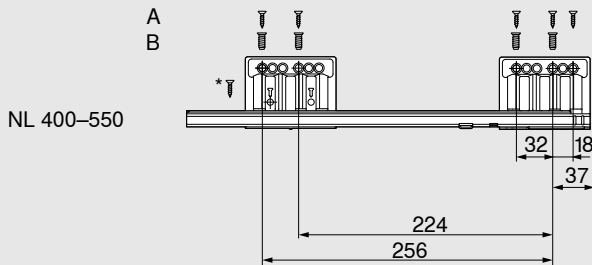
**Cutting dimensions for 16 mm chipboard**



<b>Chipboard back</b>		<b>Y (mm)</b>
Height		60.5
<b>Base length</b>		<b>Z (mm)</b>
Chipboard back		NL - 26
<b>Position of drawer base drill hole</b>		
Pre-drilling possible when using a flat head screw	<b>NL (mm)</b>	<b>X (mm)</b>
	> 400	256
KB Cabinet width		
LW Internal cabinet width		
NL Nominal length		

**Cabinet profile screw position – 40 kg**

**Nominal length NL (mm)**



A Chipboard screw Ø 4 x 15 mm

B System screws Ø 6 x 14.5 mm

\* For greater lateral stability  
Chipboard screw Ø 4 x 15 mm

Internal cabinet depth LT min. = NL + 3 mm

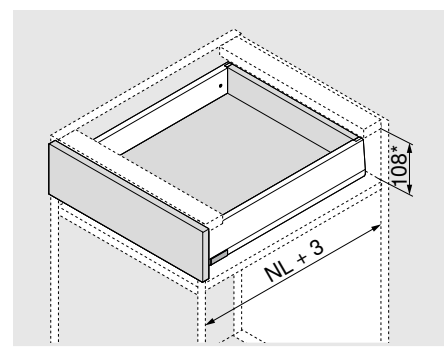
## Product



## Description

- BLUMOTION cabinet profile for all applications with interface for TIP-ON BLUMOTION and side stabiliser
- Can be combined with SERVO-DRIVE

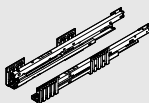
## Space requirement



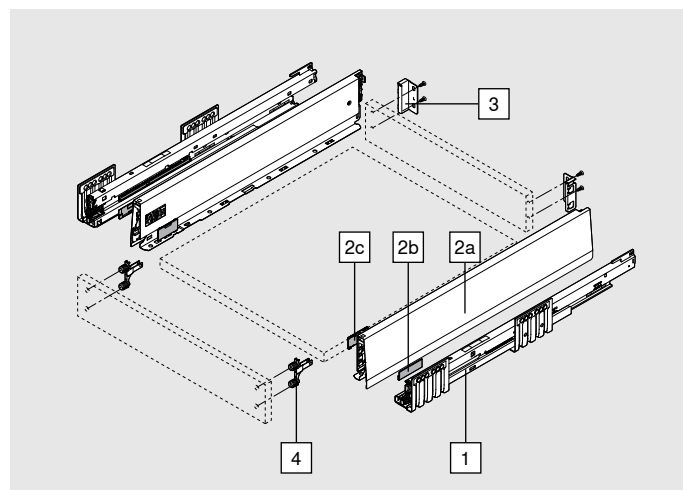
NL Nominal length

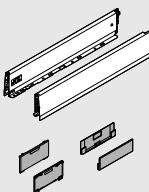
\* Incl. 2 mm tilt adjustment

## Ordering information

1	Cabinet profile left/right		
	Nominal length NL (mm)	BLUMOTION*	
		40 kg	70 kg
	270	450.2701B	
	300	450.3001B	
	350	450.3501B	
	400	450.4001B	
	450	450.4501B	453.4501B
	500	450.5001B	453.5001B
	550	450.5501B	453.5501B
	600	450.6001B	453.6001B

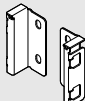
\* Suitable for SERVO-DRIVE and TIP-ON BLUMOTION



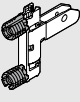
2	Drawer side set				
	Height of drawer side (mm)	M	91		
	Nominal length NL (mm)			SW-M	
	270			IG-M	OG-M
	300			470M2702S	
	350			470M3002S	
	400			470M3502S	
	450			470M4002S	
	500			470M4502S	
	550			470M5002S	
	600			470M5502S	
				470M6002S	

### Consisting of:




2a	1 x	Drawer side left/right
2b	2 x	Branding element, stamped with Blum logo, custom printed from 1000 pcs
2c	2 x	Cover caps

3	Chipboard back fixings left/right			
	Height	Material		
	M	Steel	SW-M	
			IG-M	OG-M
			ZB4M000S	

## Ordering information

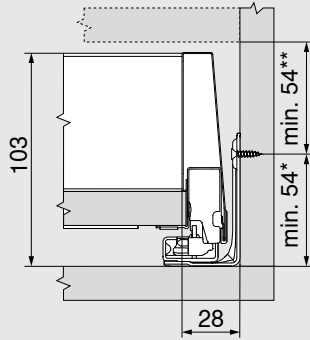
	<b>4</b>	<b>Front fixing bracket</b>		
	<b>Fixing method</b>			
	EXPANDO T		2 x	ZF4.10T2
	INSERTA		2 x	ZF4.10I2
		Screw-on*	2 x	ZF4.1002
* Screws not included in scope of delivery				
EXPANDO T suitable for thin fronts – see page 61				

## Accessories

Chipboard screw				
	Ø (mm)	Length (mm)		
	3.5	15	For connecting the cabinet profile to the cabinet	609.1500
	3.5	17	For front fixing bracket (screw-on)	609.1700
Fixing screw (flat head screw)				
	Ø (mm)	Length (mm)	Maximum screw head height: 2 mm	
	3.5	15	For the connection of chipboard back fixings with chipboard back and drawer sides with drawer base	61R.1500
In order to achieve optimal assembly, we recommend that you use flat head screws for the chipboard back and drawer side				
System screws				
	Ø (mm)	Length (mm)		
	6	14.5	For connecting the cabinet profile to the cabinet	661.1450.HG

**Planning**

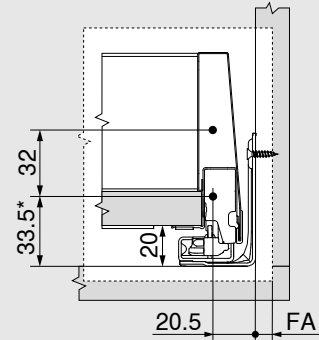
**Space requirements in the cabinet**



\* + 1 mm if cabinet profile is installed before cabinet is assembled

\*\* Incl. 2 mm tilt adjustment

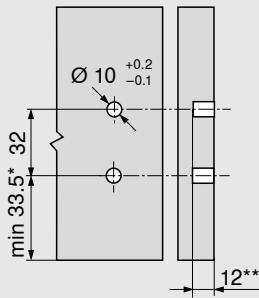
**Front installation dimensions for screw-on assembly**



\* + 1 mm if cabinet profile is installed before cabinet is assembled

FA Front overlay

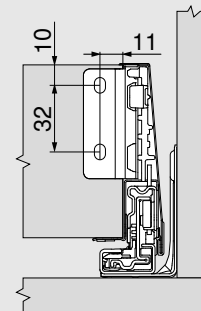
**Front drilling distances for INSERTA/EXPANDO T**



\* + 1 mm if cabinet profile is installed before cabinet is assembled

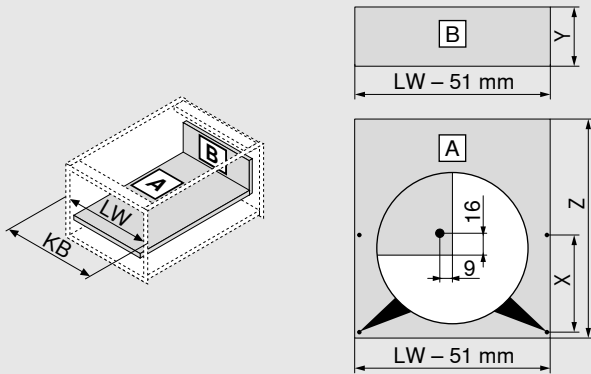
\*\* min. 6 mm for EXPANDO T

**Back installation dimensions**



Planning

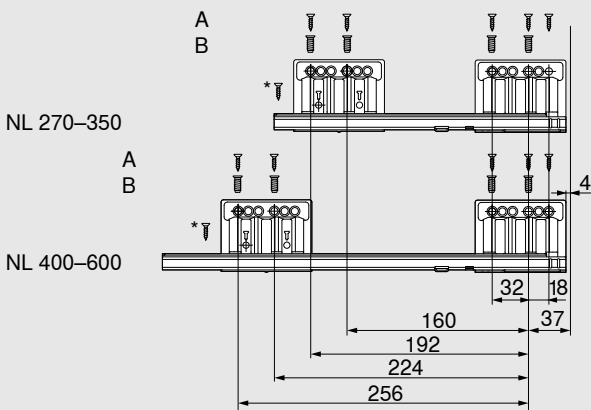
Cutting dimensions for 16 mm chipboard



<b>Chipboard back</b>	<b>Y (mm)</b>	
Height	83	
<b>Base length</b>	<b>Z (mm)</b>	
Chipboard back	NL - 26	
<b>Position of drawer base drill hole</b>		
Pre-drilling possible when using a flat head screw	<b>NL (mm)</b>	<b>X (mm)</b>
	270	128
	300	128
	> 350	256
KB Cabinet width		
LW Internal cabinet width		
NL Nominal length		

Cabinet profile screw position – 40 kg

Nominal length NL (mm)



A Chipboard screw Ø 4 x 15 mm

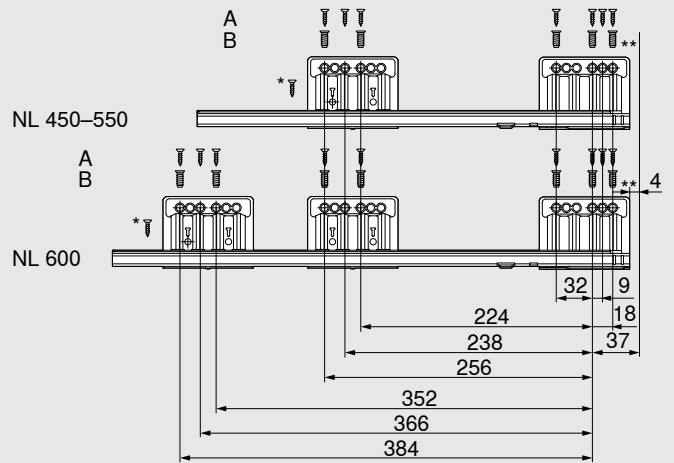
B System screws Ø 6 x 14.5 mm

\* For greater lateral stability  
Chipboard screw Ø 4 x 15 mm

Internal cabinet depth LT min. = NL + 3 mm

Cabinet profile screw position – 70 kg

Nominal length NL (mm)



A Chipboard screw Ø 4 x 15 mm

B System screws Ø 6 x 14.5 mm

\* For greater lateral stability  
Chipboard screw Ø 4 x 15 mm

\*\* For greater vertical stability  
Can be replaced with chipboard screw Ø 4 x 15 mm

Internal cabinet depth LT min. = NL + 3 mm

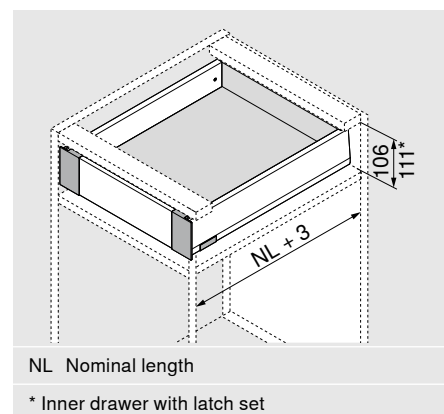
## Product



## Description

- Inner drawer with closed front piece
- Front piece and drawer sides are colour-coordinated
- Back height M
- Identical position of the cabinet profile
- SERVO-DRIVE for MERIVOBX is only triggered by pulling for inset application pull-outs

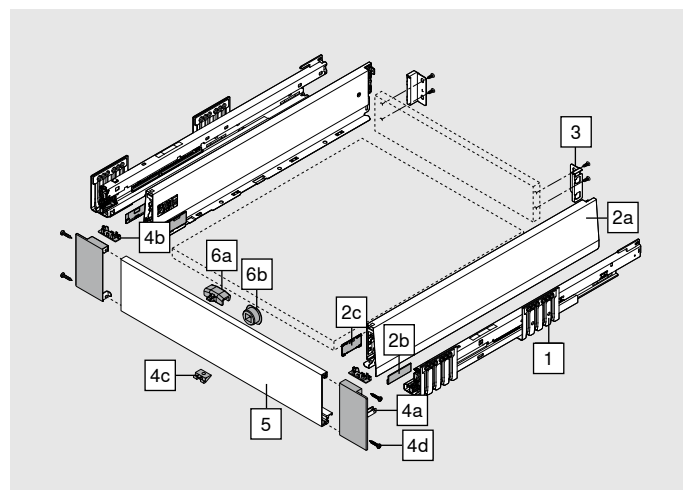
## Space requirement



## Ordering information

1	Cabinet profile left/right		
	Nominal length NL (mm)	BLUMOTION*	
		40 kg	70 kg
	270	450.2701B	
	300	450.3001B	
	350	450.3501B	
	400	450.4001B	
	450	450.4501B	453.4501B
	500	450.5001B	453.5001B
	550	450.5501B	453.5501B
	600	450.6001B	453.6001B

\* Suitable for SERVO-DRIVE and TIP-ON BLUMOTION



2	Drawer side set					
	Height of drawer side (mm)	M	91			
	Nominal length NL (mm)			SW-M	IG-M	OG-M
	270				470M2702S	
	300				470M3002S	
	350				470M3502S	
	400				470M4002S	
	450				470M4502S	
	500				470M5002S	
	550				470M5502S	
600				470M6002S		

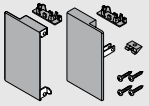
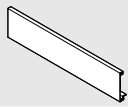
### Consisting of:

2a	1 x	Drawer side left/right
2b	2 x	Branding element, stamped with Blum logo, custom printed from 1000 pcs
2c	2 x	Cover caps

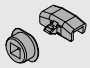
3	Chipboard back fixings left/right				
	Height	Material			
	M	Steel			
			SW-M	IG-M	OG-M
					ZB4M000S





## Ordering information

<b>4</b>	<b>Front piece set</b>			
	<b>Material</b>	SW-M	IG-M	OG-M
	Steel	Z14.0MS1		
<b>Consisting of:</b>				
<b>4a</b>	1 x	Front fixing left/right		
<b>4b</b>	2 x	Internal cover cap		
<b>4c</b>	1 x	Locking piece		
<b>4d</b>	4 x	Screws		
<b>5</b>	<b>Front piece without groove</b>			
	<b>Material</b>	SW-M	IG-M	OG-M
	Aluminium	ZV4.1042M		
	Suitable for cabinet width KB up to 1200 mm			
<b>For cutting to size</b>				
<b>Cutting:</b>	Internal cabinet width LW - 126 mm			


## Accessories

<b>6</b>	<b>Latch set (optional)*</b>			
	<b>Material</b>	SW-M	IG-M	OG-M
	Nylon	Z17.0M07		
Latch must be mounted on the front piece				
* Cannot be used in combination with TIP-ON BLUMOTION				
<b>Consisting of:</b>				
<b>6a</b>	1 x	Latch		
<b>6b</b>	1 x	Latch housing (RAL 7037 dust grey)		

<b>Chipboard screw</b>				
	<b>Ø (mm)</b>	<b>Length (mm)</b>		
	3.5	15	For connecting the cabinet profile to the cabinet	609.1500
	3.5	17	For front fixing bracket (screw-on)	609.1700

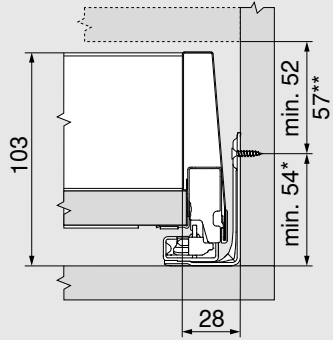
<b>Fixing screw (flat head screw)</b>				
	<b>Ø (mm)</b>	<b>Length (mm)</b>	Maximum screw head height: 2 mm	
	3.5	15	For the connection of chipboard back fixings with chipboard back and drawer sides with drawer base	
				61R.1500

In order to achieve optimal assembly, we recommend that you use flat head screws for the chipboard back and drawer side

<b>System screws</b>				
	<b>Ø (mm)</b>	<b>Length (mm)</b>		
	6	14.5	For connecting the cabinet profile to the cabinet	661.1450.HG

## Planning

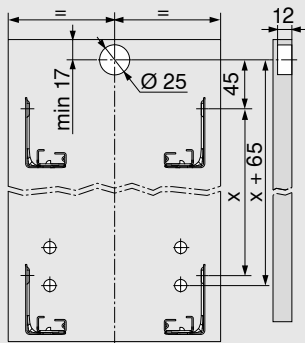
### Space requirements in the cabinet



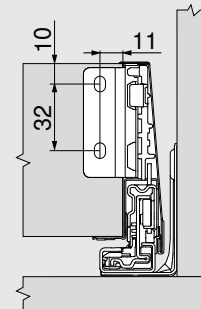
\* + 1 mm if cabinet profile is installed before cabinet is assembled

\*\* Inner drawer with latch set possible from height 57 mm

### Front drilling distances for latch housing

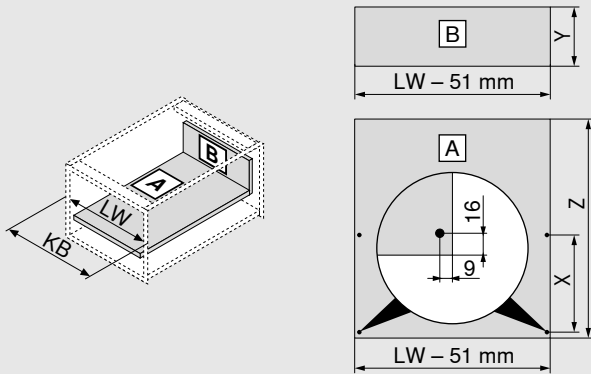


### Back installation dimensions



Planning

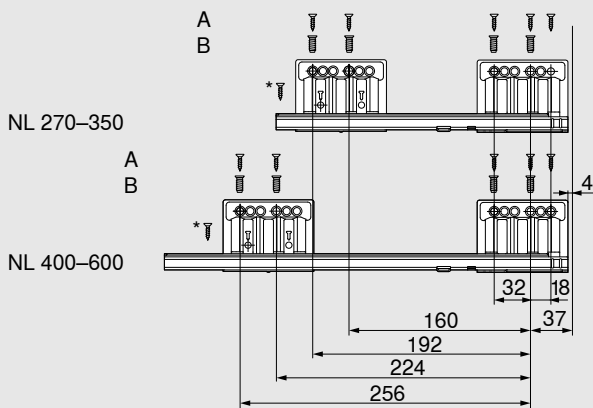
Cutting dimensions for 16 mm chipboard



<b>Chipboard back</b>	<b>Y (mm)</b>	
Height	83	
<b>Base length</b>	<b>Z (mm)</b>	
Chipboard back	NL - 26	
<b>Position of drawer base drill hole</b>		
Pre-drilling possible when using a flat head screw	<b>NL (mm)</b>	<b>X (mm)</b>
	270	128
	300	128
	> 350	256
KB Cabinet width		
LW Internal cabinet width		
NL Nominal length		

Cabinet profile screw position – 40 kg

Nominal length NL (mm)



A Chipboard screw Ø 4 x 15 mm

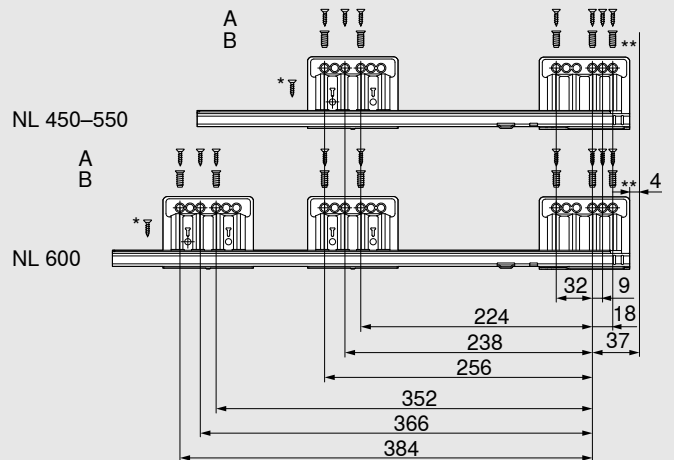
B System screws Ø 6 x 14.5 mm

\* For greater lateral stability  
Chipboard screw Ø 4 x 15 mm

Internal cabinet depth LT min. = NL + 3 mm

Cabinet profile screw position – 70 kg

Nominal length NL (mm)



A Chipboard screw Ø 4 x 15 mm

B System screws Ø 6 x 14.5 mm

\* For greater lateral stability  
Chipboard screw Ø 4 x 15 mm

\*\* For greater vertical stability  
Can be replaced with chipboard screw Ø 4 x 15 mm

Internal cabinet depth LT min. = NL + 3 mm

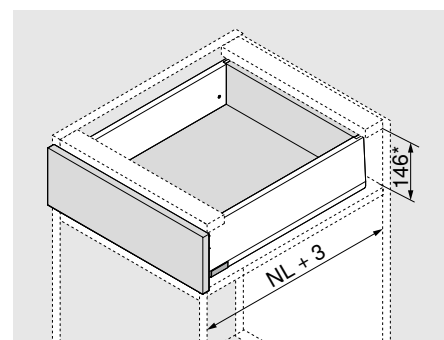
## Product



## Description

- BLUMOTION cabinet profile for all applications with interface for TIP-ON BLUMOTION and side stabiliser
- Can be combined with SERVO-DRIVE

## Space requirement



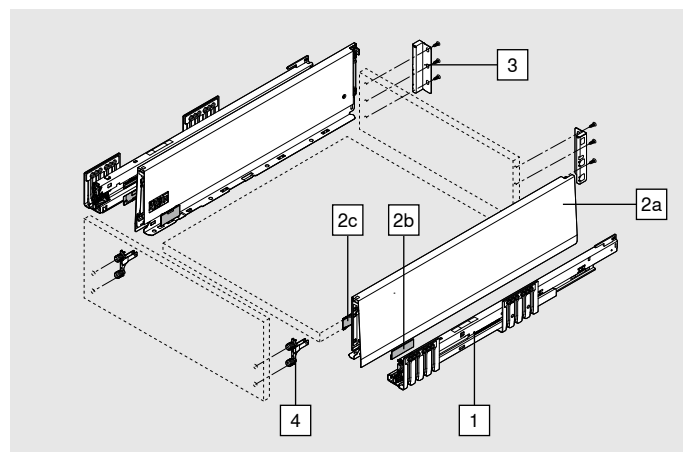
NL Nominal length

\* Incl. 2 mm tilt adjustment

## Ordering information

1	Cabinet profile left/right		
	Nominal length NL (mm)	BLUMOTION*	
		40 kg	70 kg
	300	450.3001B	
	350	450.3501B	
	400	450.4001B	
	450	450.4501B	453.4501B
	500	450.5001B	453.5001B
	550	450.5501B	453.5501B
	600	450.6001B	453.6001B

\* Suitable for SERVO-DRIVE and TIP-ON BLUMOTION



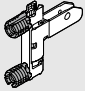
2	Drawer side set			
	Height of drawer side (mm)	K	129	
	Nominal length NL (mm)			SW-M    IG-M    OG-M
	300			470K3002S
	350			470K3502S
	400			470K4002S
	450			470K4502S
	500			470K5002S
	550			470K5502S
	600			470K6002S

### Consisting of:




2a	1 x	Drawer side left/right
2b	2 x	Branding element, stamped with Blum logo, custom printed from 1000 pcs
2c	2 x	Cover caps

3	Chipboard back fixings left/right		
	Height	Material	SW-M    IG-M    OG-M
	K	Steel	ZB4K000S

## Ordering information

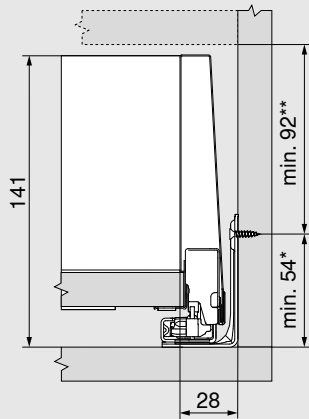
	<b>4</b>	<b>Front fixing bracket</b>		
	<b>Fixing method</b>			
	EXPANDO T		2 x	ZF4.10T2
	INSERTA		2 x	ZF4.10I2
		Screw-on*	2 x	ZF4.1002
* Screws not included in scope of delivery				
EXPANDO T suitable for thin fronts – see page 61				

## Accessories

Chipboard screw				
	Ø (mm)	Length (mm)		
	3.5	15	For connecting the cabinet profile to the cabinet	609.1500
	3.5	17	For front fixing bracket (screw-on)	609.1700
Fixing screw (flat head screw)				
	Ø (mm)	Length (mm)	Maximum screw head height: 2 mm	
	3.5	15	For the connection of chipboard back fixings with chipboard back and drawer sides with drawer base	61R.1500
In order to achieve optimal assembly, we recommend that you use flat head screws for the chipboard back and drawer side				
System screws				
	Ø (mm)	Length (mm)		
	6	14.5	For connecting the cabinet profile to the cabinet	661.1450.HG

Planning

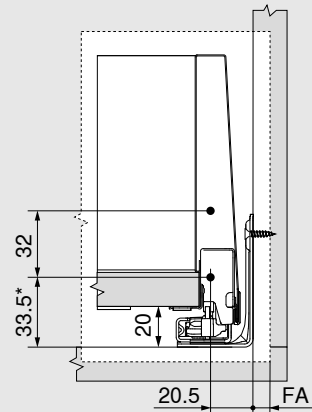
Space requirements in the cabinet



\* + 1 mm if cabinet profile is installed before cabinet is assembled

\*\* Incl. 2 mm tilt adjustment

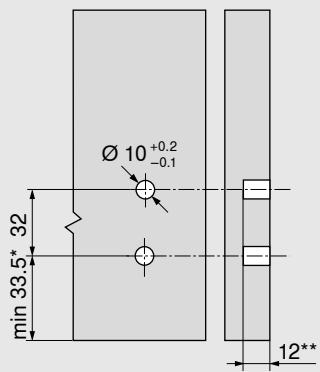
Front installation dimensions for screw-on assembly



\* + 1 mm if cabinet profile is installed before cabinet is assembled

FA Front overlay

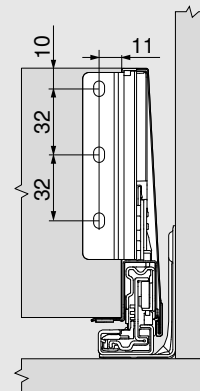
Front drilling distances for INSERTA/EXPANDO T



\* + 1 mm if cabinet profile is installed before cabinet is assembled

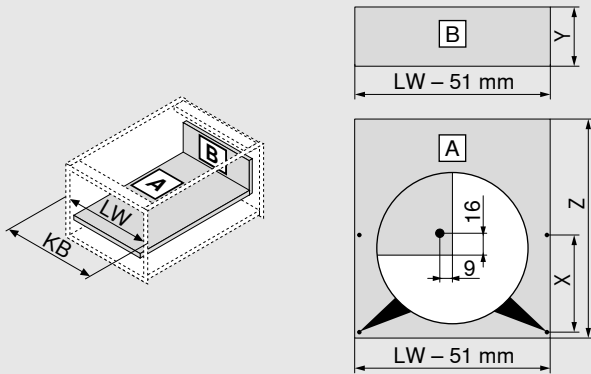
\*\* min. 6 mm for EXPANDO T

Back installation dimensions



Planning

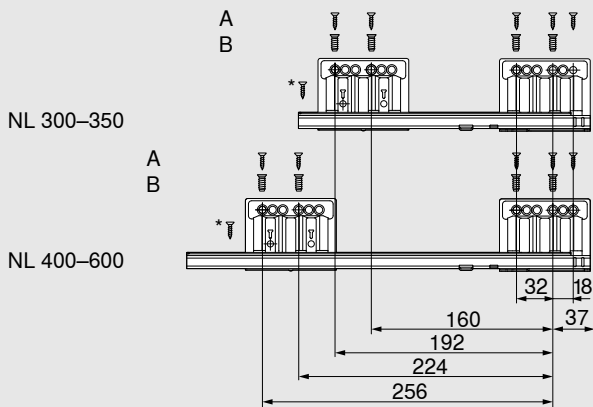
Cutting dimensions for 16 mm chipboard



<b>Chipboard back</b>	<b>Y (mm)</b>	
Height	121	
<b>Base length</b>	<b>Z (mm)</b>	
Chipboard back	NL - 26	
<b>Position of drawer base drill hole</b>		
Pre-drilling possible when using a flat head screw	<b>NL (mm)</b>	<b>X (mm)</b>
	300	128
	> 350	256
KB Cabinet width		
LW Internal cabinet width		
NL Nominal length		

Cabinet profile screw position – 40 kg

Nominal length NL (mm)



A Chipboard screw Ø 4 x 15 mm

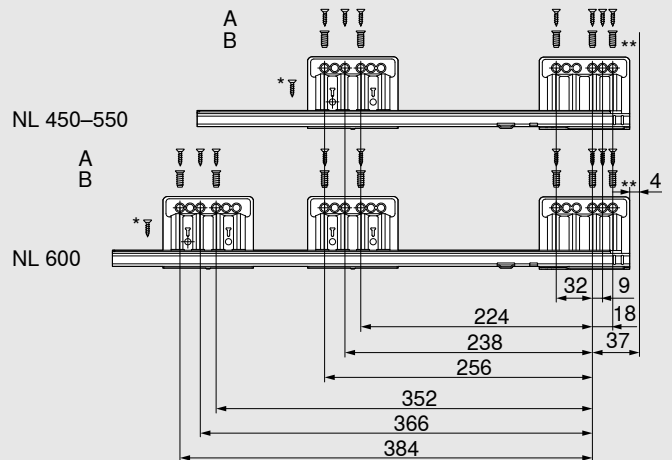
B System screws Ø 6 x 14.5 mm

\* For greater lateral stability  
Chipboard screw Ø 4 x 15 mm

Internal cabinet depth LT min. = NL + 3 mm

Cabinet profile screw position – 70 kg

Nominal length NL (mm)



A Chipboard screw Ø 4 x 15 mm

B System screws Ø 6 x 14.5 mm

\* For greater lateral stability  
Chipboard screw Ø 4 x 15 mm

\*\* For greater vertical stability  
Can be replaced with chipboard screw Ø 4 x 15 mm

Internal cabinet depth LT min. = NL + 3 mm

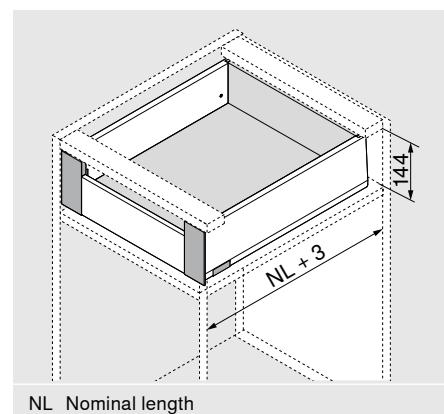
## Product



## Description

- Inner drawer with closed front piece
- Front piece and drawer sides are colour-coordinated
- Back height K
- Identical position of the cabinet profile
- SERVO-DRIVE for MERIVOBX is only triggered by pulling for inset application pull-outs

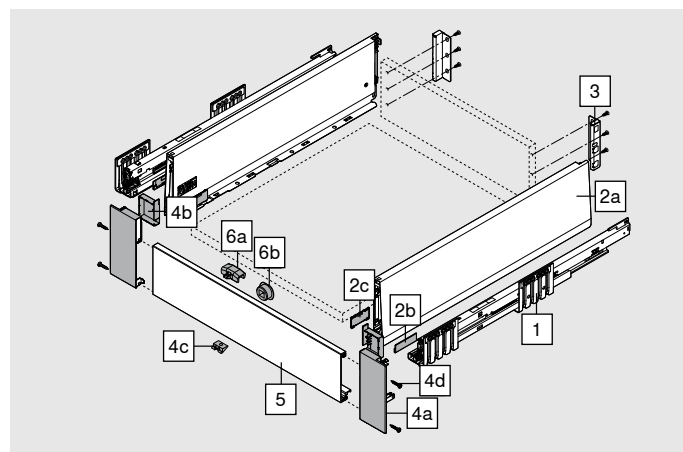
## Space requirement



## Ordering information

1	Cabinet profile left/right		
	Nominal length NL (mm)	BLUMOTION*	
		40 kg	70 kg
	300	450.3001B	
	350	450.3501B	
	400	450.4001B	
	450	450.4501B	453.4501B
	500	450.5001B	453.5001B
	550	450.5501B	453.5501B
	600	450.6001B	453.6001B

\* Suitable for SERVO-DRIVE and TIP-ON BLUMOTION



2	Drawer side set			
	Height of drawer side (mm)	K	129	
	Nominal length NL (mm)			
		SW-M	IG-M	OG-M
	300		470K3002S	
	350		470K3502S	
	400		470K4002S	
	450		470K4502S	
	500		470K5002S	
	550		470K5502S	
600		470K6002S		

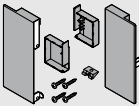
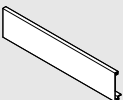
### Consisting of:

2a	1 x	Drawer side left/right
2b	2 x	Branding element, stamped with Blum logo, custom printed from 1000 pcs
2c	2 x	Cover caps

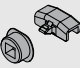
3	Chipboard back fixings left/right				
	Height	Material	SW-M	IG-M	OG-M
	K	Steel		ZB4K000S	





## Ordering information

<b>4</b>	<b>Front piece set</b>			
	<b>Material</b>	SW-M	IG-M	OG-M
	Steel	ZI4.1KS1		
<b>Consisting of:</b>				
<b>4a</b>	1 x	Front fixing left/right		
<b>4b</b>	1 x	Internal cover cap left/right		
<b>4c</b>	1 x	Locking piece		
<b>4d</b>	4 x	Screws		
<b>5</b>	<b>Front piece without groove</b>			
	<b>Material</b>	SW-M	IG-M	OG-M
	Aluminium	ZV4.1042M		
	Suitable for cabinet width KB up to 1200 mm			
<b>For cutting to size</b>				
<b>Cutting:</b>	Internal cabinet width LW - 126 mm			


## Accessories

<b>6</b>	<b>Latch set (optional)*</b>			
	<b>Material</b>	SW-M	IG-M	OG-M
	Nylon	Z17.0M07		
Latch must be mounted on the front piece				
* Cannot be used in combination with TIP-ON BLUMOTION				
<b>Consisting of:</b>				
<b>6a</b>	1 x	Latch		
<b>6b</b>	1 x	Latch housing (RAL 7037 dust grey)		

<b>Chipboard screw</b>				
	<b>Ø (mm)</b>	<b>Length (mm)</b>		
	3.5	15	For connecting the cabinet profile to the cabinet	609.1500
	3.5	17	For front fixing bracket (screw-on)	609.1700

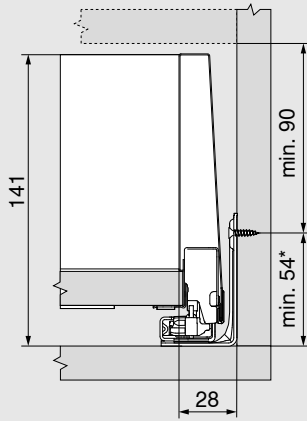
<b>Fixing screw (flat head screw)</b>				
	<b>Ø (mm)</b>	<b>Length (mm)</b>	Maximum screw head height: 2 mm	
	3.5	15	For the connection of chipboard back fixings with chipboard back and drawer sides with drawer base	
				61R.1500

In order to achieve optimal assembly, we recommend that you use flat head screws for the chipboard back and drawer side

<b>System screws</b>				
	<b>Ø (mm)</b>	<b>Length (mm)</b>		
	6	14.5	For connecting the cabinet profile to the cabinet	661.1450.HG

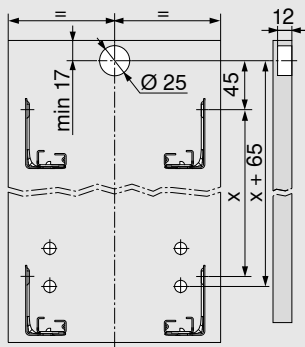
## Planning

### Space requirements in the cabinet

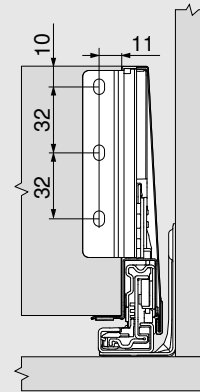


\* + 1 mm if cabinet profile is installed before cabinet is assembled

### Front drilling distances for latch housing

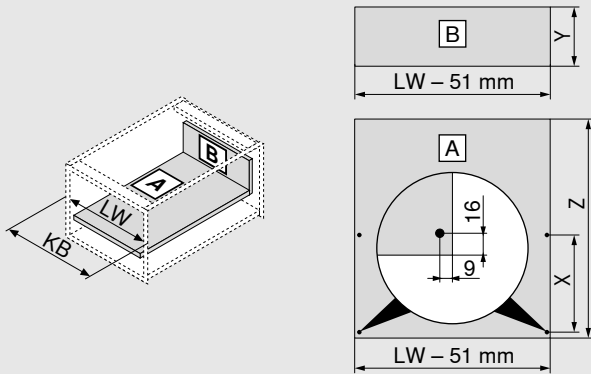


### Back installation dimensions



Planning

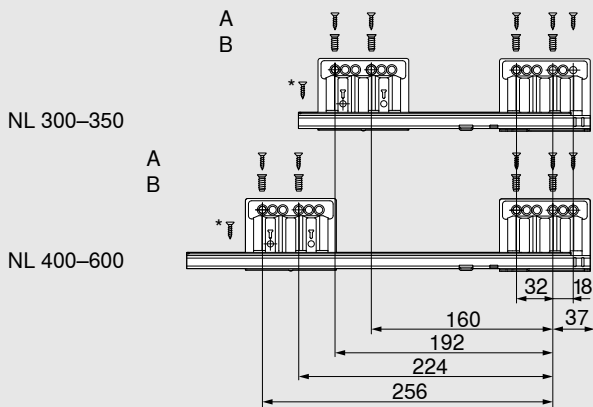
Cutting dimensions for 16 mm chipboard



<b>Chipboard back</b>	<b>Y (mm)</b>	
Height	121	
<b>Base length</b>	<b>Z (mm)</b>	
Chipboard back	NL - 26	
<b>Position of drawer base drill hole</b>		
Pre-drilling possible when using a flat head screw	<b>NL (mm)</b>	<b>X (mm)</b>
	300	128
	> 350	256
KB Cabinet width		
LW Internal cabinet width		
NL Nominal length		

Cabinet profile screw position – 40 kg

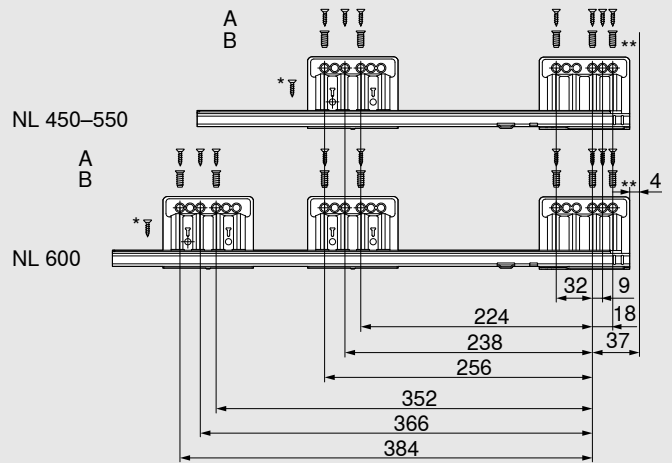
Nominal length NL (mm)



A	Chipboard screw Ø 4 x 15 mm
B	System screws Ø 6 x 14.5 mm
*	For greater lateral stability Chipboard screw Ø 4 x 15 mm
Internal cabinet depth LT min. = NL + 3 mm	

Cabinet profile screw position – 70 kg

Nominal length NL (mm)



A	Chipboard screw Ø 4 x 15 mm
B	System screws Ø 6 x 14.5 mm
*	For greater lateral stability Chipboard screw Ø 4 x 15 mm
**	For greater vertical stability Can be replaced with chipboard screw Ø 4 x 15 mm
Internal cabinet depth LT min. = NL + 3 mm	

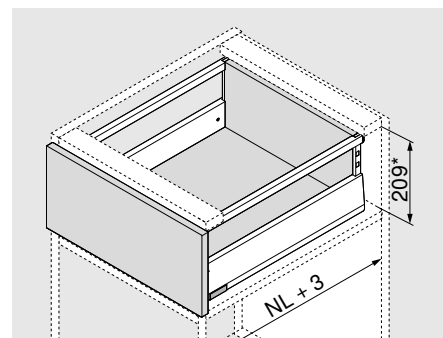
### Product



### Description

- BLUMOTION cabinet profile for all applications with interface for TIP-ON BLUMOTION and side stabiliser
- Can be combined with SERVO-DRIVE

### Space requirement



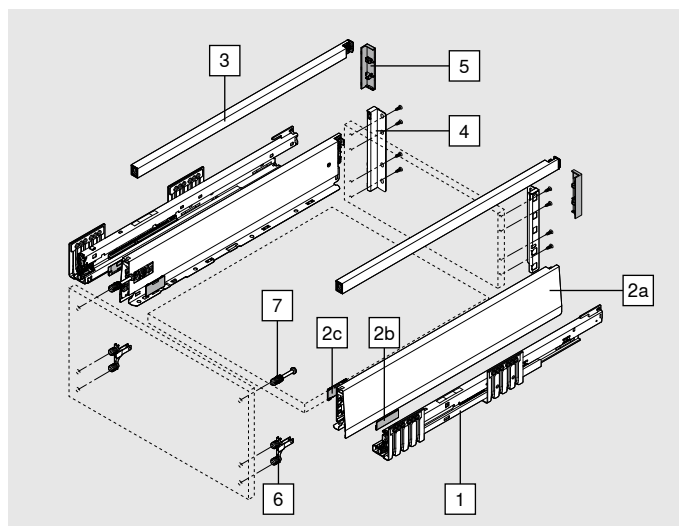
NL Nominal length

\* Incl. 2 mm tilt adjustment

### Ordering information

1	Cabinet profile left/right		
	Nominal length NL (mm)	BLUMOTION*	
		40 kg	70 kg
	270	450.2701B	
	300	450.3001B	
	350	450.3501B	
	400	450.4001B	
	450	450.4501B	453.4501B
	500	450.5001B	453.5001B
	550	450.5501B	453.5501B
	600	450.6001B	453.6001B

\* Suitable for SERVO-DRIVE and TIP-ON BLUMOTION



2	Drawer side set				
	Height of drawer side (mm)	M	91		
	Nominal length NL (mm)			SW-M	
	270			IG-M	OG-M
	300			470M2702S	
	350			470M3002S	
	400			470M3502S	
	450			470M4002S	
	500			470M4502S	
	550			470M5002S	
	600			470M5502S	470M6002S

**Consisting of:**

2a	1 x	Drawer side left/right
2b	2 x	Branding element, stamped with Blum logo, custom printed from 1000 pcs
2c	2 x	Cover caps

## Ordering information

3 Gallery left/right					
	Nominal length NL (mm)	Material			
		Steel	SW-M	IG-M	OG-M
	270		ZR4.270RS.E		
	300		ZR4.300RS.E		
	350		ZR4.350RS.E		
	400		ZR4.400RS.E		
	450		ZR4.450RS.E		
	500		ZR4.500RS.E		
	550		ZR4.550RS.E		
	600		ZR4.600RS.E		

4 Chipboard back fixings left/right					
	Height	Material	SW-M	IG-M	OG-M
		E	Steel	ZB4E00S	

5 Cabinet back cover cap (optional)					
	Version	Material			
	Symmetrical	Nylon	SW-M	IG-M	OG-M
			2 x ZB4E00AK		

6 Front fixing bracket						
	Fixing method					
		EXPANDO T		2 x	ZF4.10T2	
		INSERTA		2 x	ZF4.10I2	
		Screw-on*		2 x	ZF4.1002	

\* Screws not included in scope of delivery

EXPANDO T suitable for thin fronts – see page 61

7 Front fixing bracket, top						
	Fixing method					
		EXPANDO T		2 x	ZF4.50T2	
		INSERTA		2 x	ZF4.50I2	
		Screw-on – pre-assembled chipboard screw Ø 3.8 x 11.4 mm		2 x	ZF4.5002	
		Screw-on – countersunk screws with head diameter max. 7 mm, thread diameter max. 4 mm*		2 x	ZF4.5012	

\* Screws not included in scope of delivery

EXPANDO T suitable for thin fronts – see page 61

## Accessories

Chipboard screw						
	Ø (mm)	Length (mm)				
		3.5	15	For connecting the cabinet profile to the cabinet		609.1500
		3.5	17	For front fixing bracket (screw-on)		609.1700

## Ordering information

### Accessories

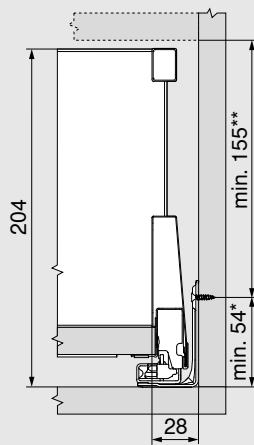
Fixing screw (flat head screw)			
	Ø (mm)	Length (mm)	Maximum screw head height: 2 mm
	3.5	15	For the connection of chipboard back fixings with chipboard back and drawer sides with drawer base
			<b>61R.1500</b>

In order to achieve optimal assembly, we recommend that you use flat head screws for the chipboard back and drawer side

System screws			
	Ø (mm)	Length (mm)	
	6	14.5	For connecting the cabinet profile to the cabinet
			<b>661.1450.HG</b>

## Planning

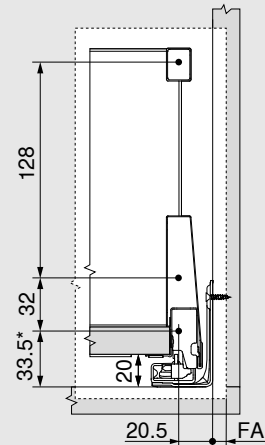
### Space requirements in the cabinet



\* + 1 mm if cabinet profile is installed before cabinet is assembled

\*\* Incl. 2 mm tilt adjustment

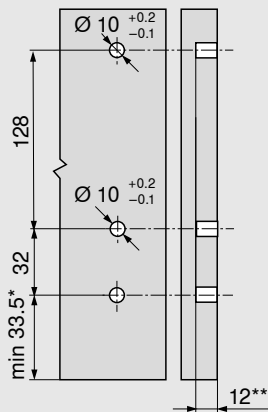
### Front installation dimensions for screw-on assembly



\* + 1 mm if cabinet profile is installed before cabinet is assembled

FA Front overlay

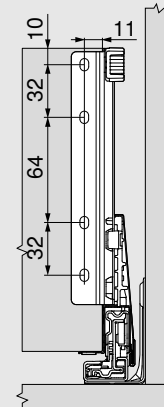
### Front drilling distances for INSERTA/EXPANDO T



\* + 1 mm if cabinet profile is installed before cabinet is assembled

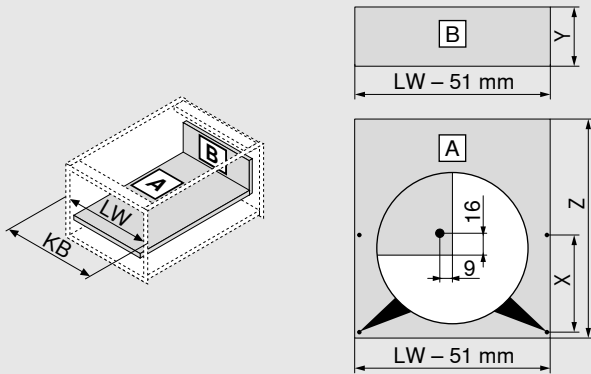
\*\* min. 6 mm for EXPANDO T

### Back installation dimensions



Planning

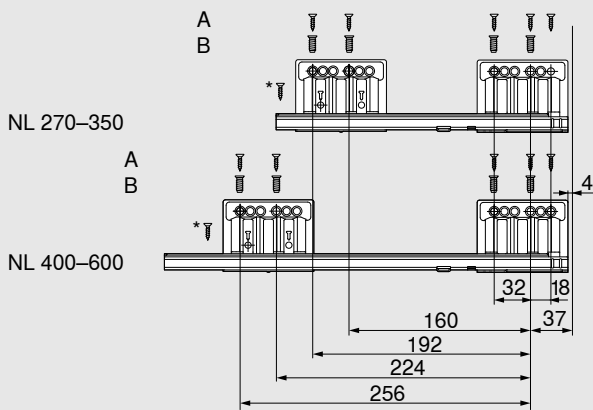
Cutting dimensions for 16 mm chipboard



<b>Chipboard back</b>	<b>Y (mm)</b>	
Height	184	
<b>Base length</b>	<b>Z (mm)</b>	
Chipboard back	NL - 26	
<b>Position of drawer base drill hole</b>		
Pre-drilling possible when using a flat head screw	<b>NL (mm)</b>	<b>X (mm)</b>
	270	128
	300	128
> 350	256	
KB	Cabinet width	
LW	Internal cabinet width	
NL	Nominal length	

Cabinet profile screw position – 40 kg

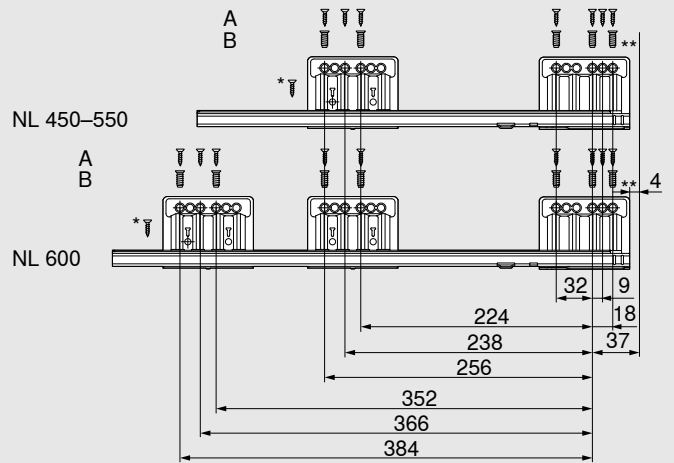
Nominal length NL (mm)



A	Chipboard screw Ø 4 x 15 mm
B	System screws Ø 6 x 14.5 mm
*	For greater lateral stability Chipboard screw Ø 4 x 15 mm
Internal cabinet depth LT min. = NL + 3 mm	

Cabinet profile screw position – 70 kg

Nominal length NL (mm)



A	Chipboard screw Ø 4 x 15 mm
B	System screws Ø 6 x 14.5 mm
*	For greater lateral stability Chipboard screw Ø 4 x 15 mm
**	For greater vertical stability Can be replaced with chipboard screw Ø 4 x 15 mm
Internal cabinet depth LT min. = NL + 3 mm	

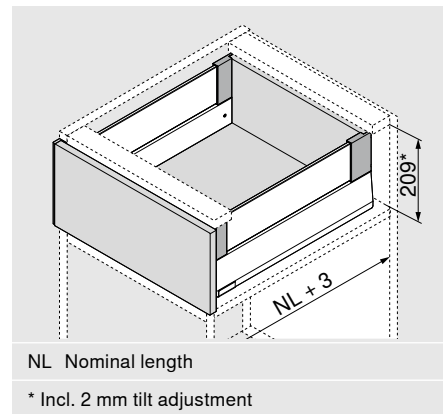
**Product**



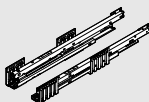
**Description**

- BLUMOTION cabinet profile for all applications with interface for TIP-ON BLUMOTION and side stabiliser
- Can be combined with SERVO-DRIVE

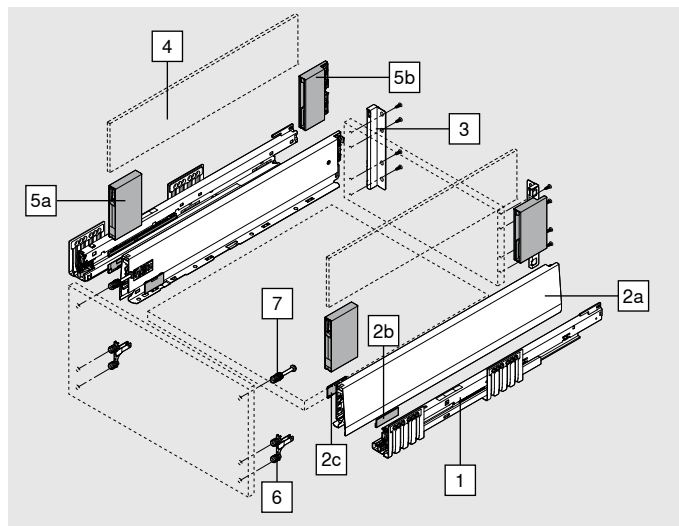
**Space requirement**

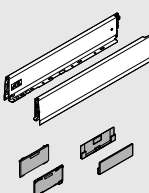


**Ordering information**

1	Cabinet profile left/right		
	Nominal length NL (mm)	BLUMOTION*	
		40 kg	70 kg
	270	450.2701B	
	300	450.3001B	
	350	450.3501B	
	400	450.4001B	
	450	450.4501B	453.4501B
	500	450.5001B	453.5001B
	550	450.5501B	453.5501B
	600	450.6001B	453.6001B


\* Suitable for SERVO-DRIVE and TIP-ON BLUMOTION



2	Drawer side set					
	Height of drawer side (mm)	M	91	SW-M	IG-M	OG-M
	Nominal length NL (mm)					
	270				470M2702S	
	300				470M3002S	
	350				470M3502S	
	400				470M4002S	
	450				470M4502S	
	500				470M5002S	
	550				470M5502S	
	600				470M6002S	

**Consisting of:**

2a	1 x	Drawer side left/right
2b	2 x	Branding element, stamped with Blum logo, custom printed from 1000 pcs
2c	2 x	Cover caps

3	Chipboard back fixings left/right					
	Height	Material	SW-M	IG-M	OG-M	
	E	Steel		ZB4E000S		



**Ordering information**

	4 Glass design element (side)	
	Nominal length NL (mm)	Clear
	450	ZE4M360G
	500	ZE4M410G
	550	ZE4M460G
600	ZE4M510G	

**Consisting of:**

4	2 x	Glass design element
---	-----	----------------------

**Note**

In the case of other nominal lengths NL, cut the next longest design element to size accordingly

For cut-to-size dimension see page 35

To guarantee a safe connection between the front and BOXCOVER, the sides of the glass must be cleaned prior to assembly (required from a front height of more than 455 mm).

	5 BOXCOVER left/right				
	Height	Material	SW-M	IG-M	OG-M
	M	Steel		ZL4M00808	
	8 mm design element				
For front heights greater than 455 mm, the clamping screw must be tightened – 1.5 to 2 Nm					

**Consisting of:**

5a	1 x	BOXCOVER front left/right
----	-----	---------------------------

5b	1 x	BOXCOVER back left/right
----	-----	--------------------------

	6 Front fixing bracket			
	Fixing method			
	EXPANDO T		2 x	ZF4.10T2
	INSERTA		2 x	ZF4.10I2
	Screw-on*		2 x	ZF4.1002

\* Screws not included in scope of delivery

EXPANDO T suitable for thin fronts – see page 61

	7 Front fixing bracket, top			
	Fixing method			
	EXPANDO T		2 x	ZF4.50T2
	INSERTA		2 x	ZF4.50I2
	Screw-on – pre-assembled chipboard screw Ø 3.8 x 11.4 mm		2 x	ZF4.5002
	Screw-on – countersunk screws with head diameter max. 7 mm, thread diameter max. 4 mm*		2 x	ZF4.5012

\* Screws not included in scope of delivery

EXPANDO T suitable for thin fronts – see page 61

**Accessories**

Chipboard screw				
	Ø (mm)	Length (mm)		
	3.5	15	For connecting the cabinet profile to the cabinet	609.1500
	3.5	17	For front fixing bracket (screw-on)	609.1700

## Ordering information

### Accessories

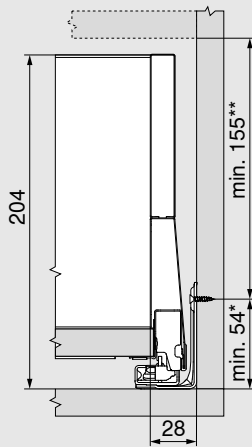
Fixing screw (flat head screw)			
	Ø (mm)	Length (mm)	Maximum screw head height: 2 mm
	3.5	15	For the connection of chipboard back fixings with chipboard back and drawer sides with drawer base
			<b>61R.1500</b>

In order to achieve optimal assembly, we recommend that you use flat head screws for the chipboard back and drawer side

System screws			
	Ø (mm)	Length (mm)	
	6	14.5	For connecting the cabinet profile to the cabinet
			<b>661.1450.HG</b>

## Planning

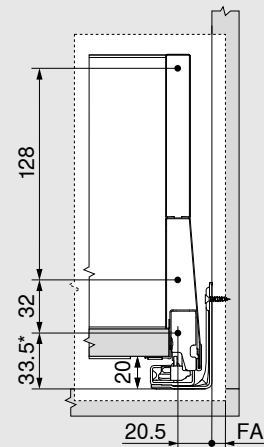
### Space requirements in the cabinet



\* + 1 mm if cabinet profile is installed before cabinet is assembled

\*\* Incl. 2 mm tilt adjustment

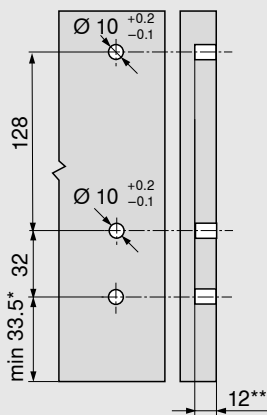
### Front installation dimensions for screw-on assembly



\* + 1 mm if cabinet profile is installed before cabinet is assembled

FA Front overlay

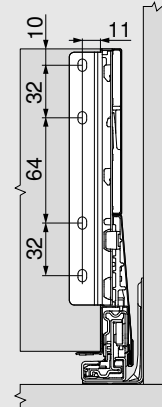
### Front drilling distances for INSERTA/EXPANDO T



\* + 1 mm if cabinet profile is installed before cabinet is assembled

\*\* min. 6 mm for EXPANDO T

### Back installation dimensions



Planning

**Cutting dimensions for 16 mm chipboard**

<b>Chipboard back</b>	<b>Y (mm)</b>	
Height	184	
<b>Base length</b>	<b>Z (mm)</b>	
Chipboard back	NL - 26	
<b>Position of drawer base drill hole</b>		
Pre-drilling possible when using a flat head screw	<b>NL (mm)</b>	<b>X (mm)</b>
	270	128
	300	128
> 350	256	
KB Cabinet width		
LW Internal cabinet width		
NL Nominal length		

**Cutting – design element**

<b>Design element</b>	<b>X (mm)</b>	<b>Y (mm)</b>	<b>Z (mm)</b>
Side	NL - 90	95	8
NL Nominal length			
"Impact testing for vertically installed glass parts" as per standard DIN EN 14749 (dated June 2016) is not required due to the dimensions of the design element in combination with MERIVOBX. No safety glass is required to comply with the standard. The edge is a polished flat edge with a 1 mm ± 0.5 mm bevel.			

**Cabinet profile screw position – 40 kg**

**Nominal length NL (mm)**

A	Chipboard screw Ø 4 x 15 mm
B	System screws Ø 6 x 14.5 mm
*	For greater lateral stability Chipboard screw Ø 4 x 15 mm
Internal cabinet depth LT min. = NL + 3 mm	

**Cabinet profile screw position – 70 kg**

**Nominal length NL (mm)**

A	Chipboard screw Ø 4 x 15 mm
B	System screws Ø 6 x 14.5 mm
*	For greater lateral stability Chipboard screw Ø 4 x 15 mm
**	For greater vertical stability Can be replaced with chipboard screw Ø 4 x 15 mm
Internal cabinet depth LT min. = NL + 3 mm	

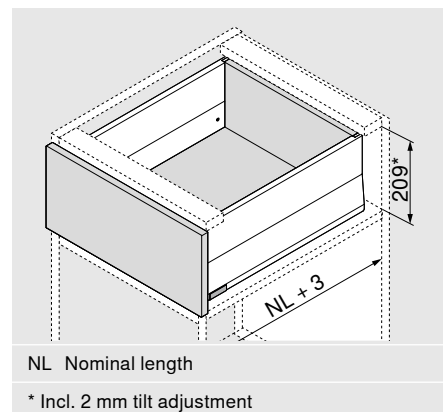
### Product



### Description

- BLUMOTION cabinet profile for all applications with interface for TIP-ON BLUMOTION and side stabiliser
- Can be combined with SERVO-DRIVE

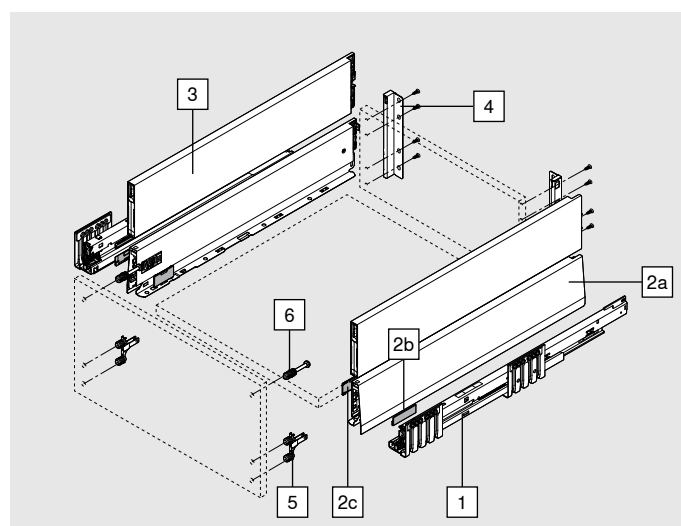
### Space requirement



### Ordering information

1	Cabinet profile left/right		
	Nominal length NL (mm)	BLUMOTION*	
		40 kg	70 kg
	270	450.2701B	
	300	450.3001B	
	350	450.3501B	
	400	450.4001B	
	450	450.4501B	453.4501B
	500	450.5001B	453.5001B
	550	450.5501B	453.5501B
	600	450.6001B	453.6001B

\* Suitable for SERVO-DRIVE and TIP-ON BLUMOTION



2	Drawer side set			
	Height of drawer side (mm)	M	91	
	Nominal length NL (mm)			SW-M
				IG-M
				OG-M
	270			470M2702S
	300			470M3002S
	350			470M3502S
	400			470M4002S
	450			470M4502S
	500			470M5002S
550			470M5502S	
600			470M6002S	

**Consisting of:**

2a	1 x	Drawer side left/right
2b	2 x	Branding element, stamped with Blum logo, custom printed from 1000 pcs
2c	2 x	Cover caps

## Ordering information

3	BOXCAP left/right				
	<b>Material</b>	Steel			
	<b>Nominal length NL (mm)</b>		SW-M	IG-M	OG-M
	270	ZL4.270S.E			
	300	ZL4.300S.E			
	350	ZL4.350S.E			
	400	ZL4.400S.E			
	450	ZL4.450S.E			
	500	ZL4.500S.E			
	550	ZL4.550S.E			
	600	ZL4.600S.E			

4	Chipboard back fixings left/right				
	<b>Height</b>	<b>Material</b>	SW-M	IG-M	OG-M
	E	Steel	ZB4E000S		

5	Front fixing bracket				
	<b>Fixing method</b>				
	EXPANDO T			2 x	ZF4.10T2
	INSERTA			2 x	ZF4.10I2
	Screw-on*			2 x	ZF4.10O2

\* Screws not included in scope of delivery

EXPANDO T suitable for thin fronts – see page 61

6	Front fixing bracket, top				
	<b>Fixing method</b>				
	EXPANDO T			2 x	ZF4.50T2
	INSERTA			2 x	ZF4.50I2
	Screw-on – pre-assembled chipboard screw Ø 3.8 x 11.4 mm			2 x	ZF4.50O2
	Screw-on – countersunk screws with head diameter max. 7 mm, thread diameter max. 4 mm*			2 x	ZF4.50I2

\* Screws not included in scope of delivery

EXPANDO T suitable for thin fronts – see page 61

## Accessories

Chipboard screw				
	<b>Ø (mm)</b>	<b>Length (mm)</b>		
	3.5	15	For connecting the cabinet profile to the cabinet	609.1500
	3.5	17	For front fixing bracket (screw-on)	609.1700

## Ordering information

### Accessories

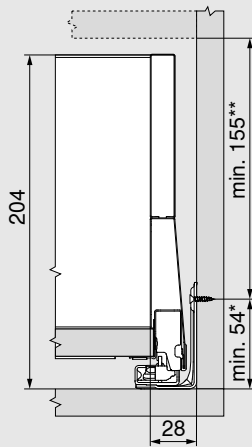
Fixing screw (flat head screw)			
	Ø (mm)	Length (mm)	Maximum screw head height: 2 mm
	3.5	15	For the connection of chipboard back fixings with chipboard back and drawer sides with drawer base
			<b>61R.1500</b>

In order to achieve optimal assembly, we recommend that you use flat head screws for the chipboard back and drawer side

System screws			
	Ø (mm)	Length (mm)	
	6	14.5	For connecting the cabinet profile to the cabinet
			<b>661.1450.HG</b>

## Planning

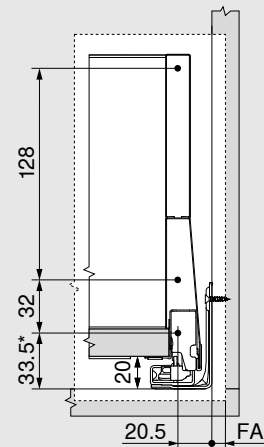
### Space requirements in the cabinet



\* + 1 mm if cabinet profile is installed before cabinet is assembled

\*\* Incl. 2 mm tilt adjustment

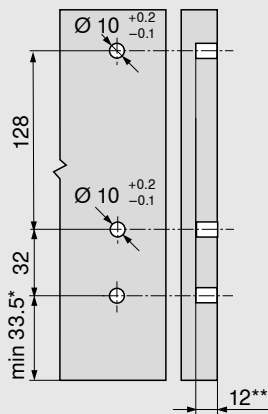
### Front installation dimensions for screw-on assembly



\* + 1 mm if cabinet profile is installed before cabinet is assembled

FA Front overlay

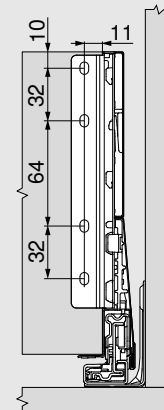
### Front drilling distances for INSERTA/EXPANDO T



\* + 1 mm if cabinet profile is installed before cabinet is assembled

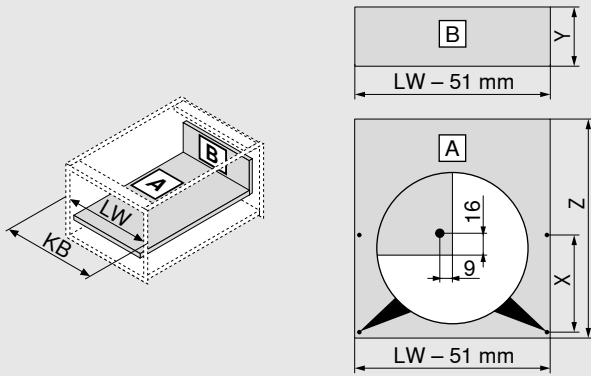
\*\* min. 6 mm for EXPANDO T

### Back installation dimensions



Planning

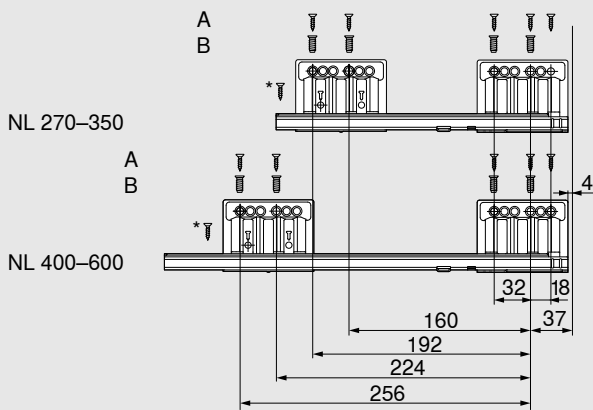
Cutting dimensions for 16 mm chipboard



<b>Chipboard back</b>	<b>Y (mm)</b>	
Height	184	
<b>Base length</b>	<b>Z (mm)</b>	
Chipboard back	NL - 26	
<b>Position of drawer base drill hole</b>		
Pre-drilling possible when using a flat head screw	<b>NL (mm)</b>	<b>X (mm)</b>
	270	128
	300	128
	> 350	256
KB	Cabinet width	
LW	Internal cabinet width	
NL	Nominal length	

Cabinet profile screw position – 40 kg

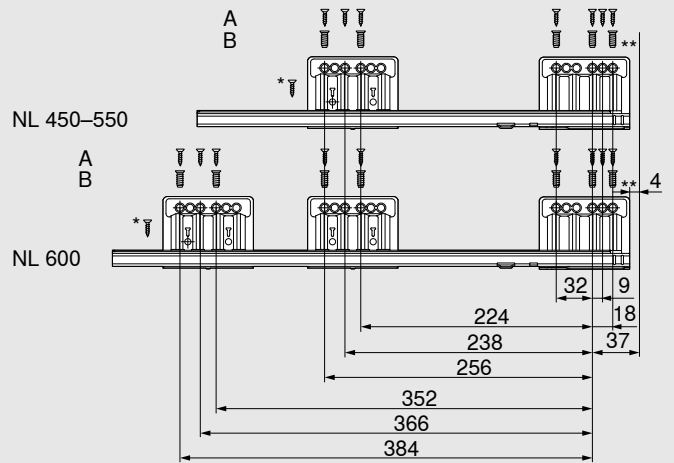
Nominal length NL (mm)



A	Chipboard screw Ø 4 x 15 mm
B	System screws Ø 6 x 14.5 mm
*	For greater lateral stability Chipboard screw Ø 4 x 15 mm
Internal cabinet depth LT min. = NL + 3 mm	

Cabinet profile screw position – 70 kg

Nominal length NL (mm)



A	Chipboard screw Ø 4 x 15 mm
B	System screws Ø 6 x 14.5 mm
*	For greater lateral stability Chipboard screw Ø 4 x 15 mm
**	For greater vertical stability Can be replaced with chipboard screw Ø 4 x 15 mm
Internal cabinet depth LT min. = NL + 3 mm	

## Front piece with gallery

### Product

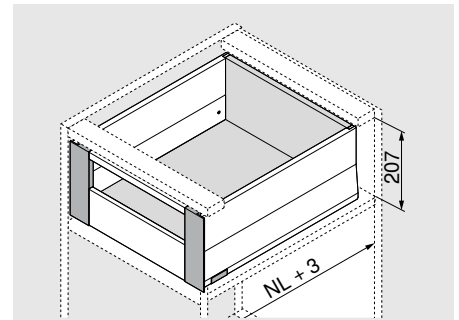


Example of inner pull-out using BOXCAP

### Description

- Inner pull-out with gallery for direct access to contents
- Front piece, drawer sides and gallery are colour-coordinated
- SERVO-DRIVE for MERIVOBX is only triggered by pulling for inset application pull-outs

### Space requirement



NL Nominal length

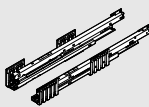
## Ordering information

### Application recommendation

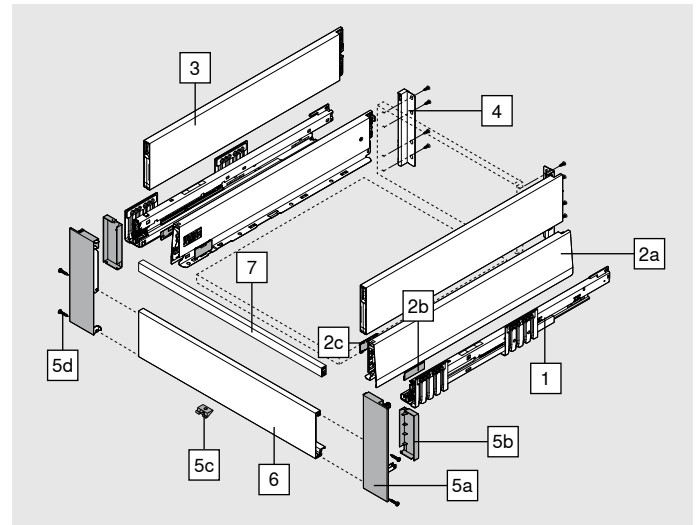
All inner pull-out options can be combined with any high fronted pull-out option in height E.

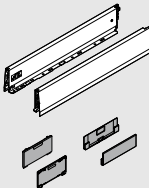
Please see the relevant page for the components to be ordered. All components apart from the front fixing bracket are needed.

High fronted pull-out modular with gallery	<b>28</b>
High fronted pull-out modular with BOXCOVER	<b>32</b>
High fronted pull-out modular with BOXCAP	<b>36</b>

1	Cabinet profile left/right		
	Nominal length NL (mm)	BLUMOTION*	
		40 kg	70 kg
	270	450.2701B	
	300	450.3001B	
	350	450.3501B	
	400	450.4001B	
	450	450.4501B	453.4501B
	500	450.5001B	453.5001B
	550	450.5501B	453.5501B
	600	450.6001B	453.6001B

\* Suitable for SERVO-DRIVE and TIP-ON BLUMOTION



2	Drawer side set			
	Height of drawer side (mm)	M	91	
	Nominal length NL (mm)			SW-M
	270			470M2702S
	300			470M3002S
	350			470M3502S
	400			470M4002S
	450			470M4502S
	500			470M5002S
	550			470M5502S
	600			470M6002S

### Consisting of:

2a	1 x	Drawer side left/right
2b	2 x	Branding element, stamped with Blum logo, custom printed from 1000 pcs
2c	2 x	Cover caps



Front piece with gallery

Ordering information

	<b>3</b> <b>BOXCAP left/right</b>				
	<b>Material</b>		Steel		
	<b>Nominal length NL (mm)</b>		SW-M	IG-M	OG-M
	270		ZL4.270S.E		
	300		ZL4.300S.E		
	350		ZL4.350S.E		
	400		ZL4.400S.E		
	450		ZL4.450S.E		
	500		ZL4.500S.E		
	550		ZL4.550S.E		
600		ZL4.600S.E			
	<b>4</b> <b>Chipboard back fixings left/right</b>				
	<b>Height</b>		<b>Material</b>		SW-M    IG-M    OG-M
	E		Steel		ZB4E000S
	<b>5</b> <b>Front piece set</b>				
	<b>Material</b>		SW-M	IG-M	OG-M
	Steel		ZI4.2ES1		
	<b>Consisting of:</b>				
	<b>5a</b>	1 x	Front fixing left/right		
	<b>5b</b>	1 x	Internal cover cap left/right		
<b>5c</b>	1 x	Locking piece			
<b>5d</b>	4 x	Screws			
	<b>6</b> <b>Front piece without groove</b>				
	<b>Material</b>		SW-M	IG-M	OG-M
	Aluminium		ZV4.1042M		
Suitable for cabinet width KB up to 1200 mm					
<b>For cutting to size</b>					
<b>Cutting:</b>		Internal cabinet width LW - 126 mm			
	<b>7</b> <b>Cross gallery</b>				
	<b>Material</b>		SW-M	IG-M	OG-M
	Aluminium		ZR4.1059U		
Suitable for cabinet width KB up to 1200 mm					
<b>For cutting to size</b>					
<b>Cutting:</b>		Internal cabinet width LW - 111 mm			

## Front piece with gallery

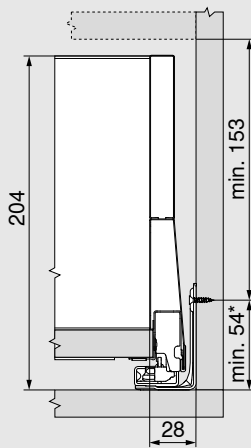
### Ordering information

#### Accessories

Chipboard screw				
	Ø (mm)	Length (mm)		
	3.5	15	For connecting the cabinet profile to the cabinet	609.1500
	3.5	17	For front fixing bracket (screw-on)	609.1700
Fixing screw (flat head screw)				
	Ø (mm)	Length (mm)	Maximum screw head height: 2 mm	
	3.5	15	For the connection of chipboard back fixings with chipboard back and drawer sides with drawer base	61R.1500
In order to achieve optimal assembly, we recommend that you use flat head screws for the chipboard back and drawer side				
System screws				
	Ø (mm)	Length (mm)		
	6	14.5	For connecting the cabinet profile to the cabinet	661.1450.HG

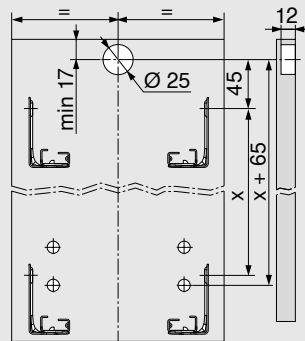
### Planning

#### Space requirements in the cabinet

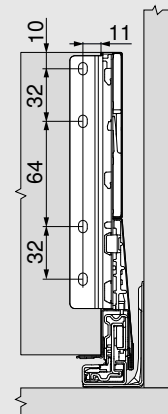


\* + 1 mm if cabinet profile is installed before cabinet is assembled

#### Front drilling distances for latch housing



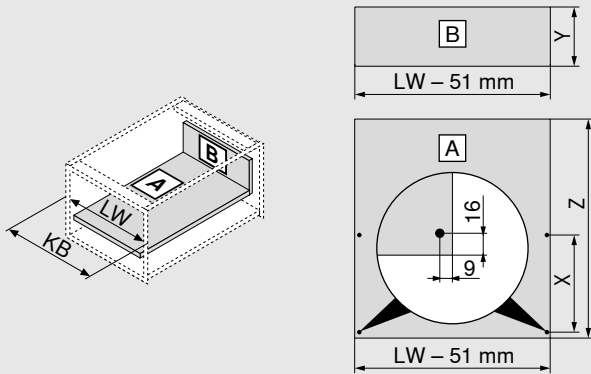
#### Back installation dimensions



Front piece with gallery

Planning

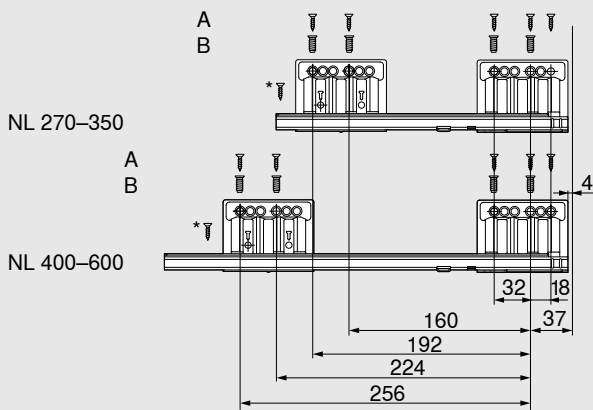
Cutting dimensions for 16 mm chipboard



<b>Chipboard back</b>	<b>Y (mm)</b>	
Height	184	
<b>Base length</b>	<b>Z (mm)</b>	
Chipboard back	NL - 26	
<b>Position of drawer base drill hole</b>		
Pre-drilling possible when using a flat head screw	<b>NL (mm)</b>	<b>X (mm)</b>
	270	128
	300	128
	> 350	256
KB	Cabinet width	
LW	Internal cabinet width	
NL	Nominal length	

Cabinet profile screw position – 40 kg

Nominal length NL (mm)



A Chipboard screw Ø 4 x 15 mm

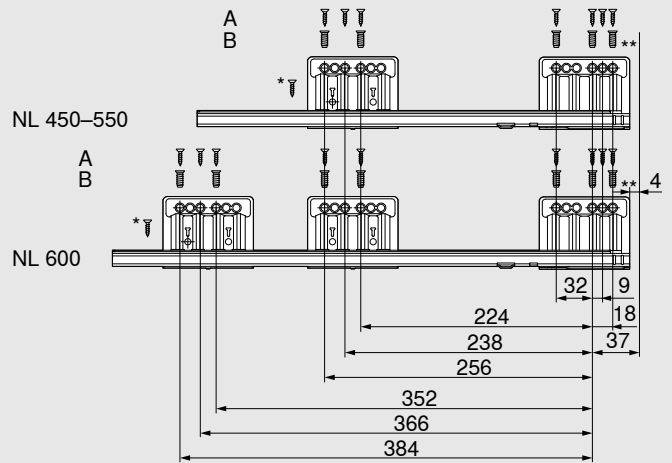
B System screws Ø 6 x 14.5 mm

\* For greater lateral stability  
Chipboard screw Ø 4 x 15 mm

Internal cabinet depth LT min. = NL + 3 mm

Cabinet profile screw position – 70 kg

Nominal length NL (mm)



A Chipboard screw Ø 4 x 15 mm

B System screws Ø 6 x 14.5 mm

\* For greater lateral stability  
Chipboard screw Ø 4 x 15 mm

\*\* For greater vertical stability  
Can be replaced with chipboard screw Ø 4 x 15 mm

Internal cabinet depth LT min. = NL + 3 mm

## Front piece with design element

### Product

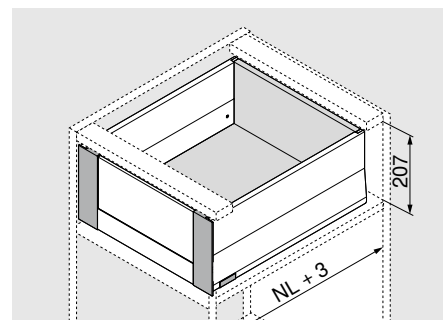


Example of inner pull-out using BOXCAP

### Description

- Inner pull-out for high and low design element
- Front piece and drawer sides are colour-coordinated
- SERVO-DRIVE for MERIVOBX is only triggered by pulling for inset application pull-outs

### Space requirement



NL Nominal length

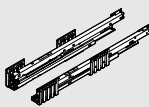
## Ordering information

### Application recommendation

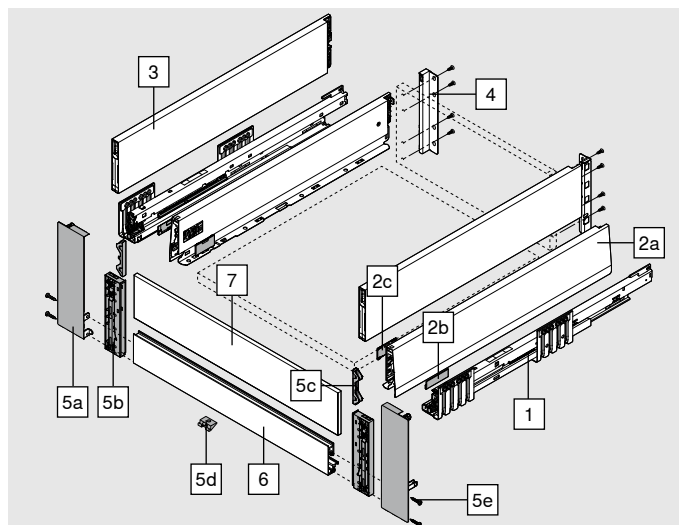
All inner pull-out options can be combined with any high fronted pull-out option in height E.

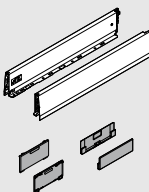
Please see the relevant page for the components to be ordered. All components apart from the front fixing bracket are needed.

High fronted pull-out modular with gallery	<b>28</b>
High fronted pull-out modular with BOXCOVER	<b>32</b>
High fronted pull-out modular with BOXCAP	<b>36</b>

1	Cabinet profile left/right		
	Nominal length NL (mm)	BLUMOTION*	
		40 kg	70 kg
	270	450.2701B	
	300	450.3001B	
	350	450.3501B	
	400	450.4001B	
	450	450.4501B	453.4501B
	500	450.5001B	453.5001B
	550	450.5501B	453.5501B
	600	450.6001B	453.6001B

\* Suitable for SERVO-DRIVE and TIP-ON BLUMOTION



2	Drawer side set			
	Height of drawer side (mm)	M	91	
	Nominal length NL (mm)			SW-M
	270			470M2702S
	300			470M3002S
	350			470M3502S
	400			470M4002S
	450			470M4502S
	500			470M5002S
	550			470M5502S
	600			470M6002S

### Consisting of:

2a	1 x	Drawer side left/right
2b	2 x	Branding element, stamped with Blum logo, custom printed from 1000 pcs
2c	2 x	Cover caps

Front piece with design element

Ordering information

	<b>3</b> <b>BOXCAP left/right</b>				
	<b>Material</b>		Steel		
	<b>Nominal length NL (mm)</b>		SW-M	IG-M	OG-M
	270		ZL4.270S.E		
	300		ZL4.300S.E		
	350		ZL4.350S.E		
	400		ZL4.400S.E		
	450		ZL4.450S.E		
	500		ZL4.500S.E		
	550		ZL4.550S.E		
600		ZL4.600S.E			

	<b>4</b> <b>Chipboard back fixings left/right</b>						
	<b>Height</b>		<b>Material</b>		SW-M	IG-M	OG-M
	E		Steel		ZB4E000S		

	<b>5</b> <b>Front piece set</b>				
	<b>Material</b>		SW-M	IG-M	OG-M
	Steel		Z14.4ES1		

**Consisting of:**

<b>5a</b>	1 x	Front fixing left/right
<b>5b</b>	1 x	Glass fixing left/right
<b>5c</b>	2 x	Adapter piece for front piece with a low design element
<b>5d</b>	1 x	Locking piece
<b>5e</b>	4 x	Screws

	<b>6</b> <b>Front piece with groove</b>				
	<b>Material</b>		SW-M	IG-M	OG-M
	Aluminium		ZV4.1042NN		
Suitable for cabinet width KB up to 1200 mm					

**For cutting to size**

<b>Cutting:</b>	Internal cabinet width LW - 126 mm
-----------------	------------------------------------

	<b>7</b> <b>Glass design element (for inner pull-out front)</b>							
	<b>Material</b>		<b>Colour</b>		<b>Low design element</b>		<b>High design element</b>	
	Glass		Clear					
					<b>Cabinet side panel thickness (mm)</b>			
	<b>Cabinet width (mm)</b>				15/16	18/19	15/16	18/19
	600				ZE4L464G	ZE4L458G	ZE4H464G	ZE4H458G
1200				ZE4L1064G	ZE4L1058G	ZE4H1064G	ZE4H1058G	

**Consisting of:**

<b>7</b>	1 x	Glass design element
----------	-----	----------------------




In the case of other cabinet widths KB, cut the next longest design element to size accordingly

For cut-to-size dimension see page 47

## Front piece with design element

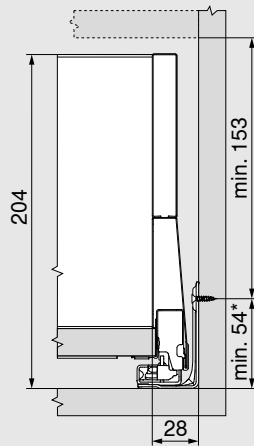
### Ordering information

#### Accessories

Chipboard screw				
	Ø (mm)	Length (mm)		
	3.5	15	For connecting the cabinet profile to the cabinet	609.1500
	3.5	17	For front fixing bracket (screw-on)	609.1700
Fixing screw (flat head screw)				
	Ø (mm)	Length (mm)	Maximum screw head height: 2 mm	
	3.5	15	For the connection of chipboard back fixings with chipboard back and drawer sides with drawer base	61R.1500
In order to achieve optimal assembly, we recommend that you use flat head screws for the chipboard back and drawer side				
System screws				
	Ø (mm)	Length (mm)		
	6	14.5	For connecting the cabinet profile to the cabinet	661.1450.HG

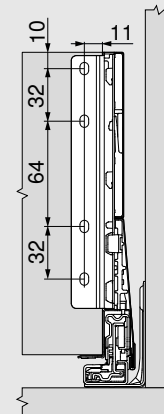
### Planning

#### Space requirements in the cabinet



\* + 1 mm if cabinet profile is installed before cabinet is assembled

#### Back installation dimensions



Front piece with design element

Planning

**Cutting dimensions for 16 mm chipboard**

<b>Chipboard back</b>	<b>Y (mm)</b>	
Height	184	
<b>Base length</b>	<b>Z (mm)</b>	
Chipboard back	NL - 26	
<b>Position of drawer base drill hole</b>		
Pre-drilling possible when using a flat head screw	<b>NL (mm)</b>	<b>X (mm)</b>
	270	128
	300	128
	> 350	256
KB Cabinet width		
LW Internal cabinet width		
NL Nominal length		

**Cutting – design element**

<b>Design element</b>	<b>X (mm)</b>	<b>Y (mm)</b>
Low	LW - 104	75
High	LW - 104	142.5
LW Internal cabinet width		
"Impact testing for vertically installed glass parts" as per standard DIN EN 14749 (dated June 2016) is not required due to the dimensions of the design element in combination with MERIVOBX. No safety glass is required to comply with the standard. The edge is a polished flat edge with a 1 mm ± 0.5 mm bevel.		

**Cabinet profile screw position – 40 kg**

**Nominal length NL (mm)**

A	Chipboard screw Ø 4 x 15 mm
B	System screws Ø 6 x 14.5 mm
*	For greater lateral stability Chipboard screw Ø 4 x 15 mm
Internal cabinet depth LT min. = NL + 3 mm	

**Cabinet profile screw position – 70 kg**

**Nominal length NL (mm)**

A	Chipboard screw Ø 4 x 15 mm
B	System screws Ø 6 x 14.5 mm
*	For greater lateral stability Chipboard screw Ø 4 x 15 mm
**	For greater vertical stability Can be replaced with chipboard screw Ø 4 x 15 mm
Internal cabinet depth LT min. = NL + 3 mm	

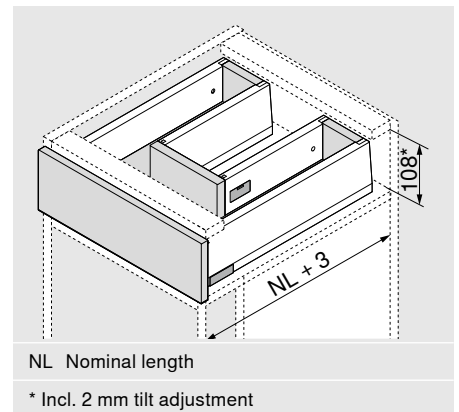
### Product



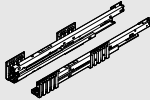
### Description

- With centre piece for optimal use of storage space
- Can be implemented with standard components
- BLUMOTION cabinet profile for all applications with interface for TIP-ON BLUMOTION and side stabiliser
- Can be combined with SERVO-DRIVE

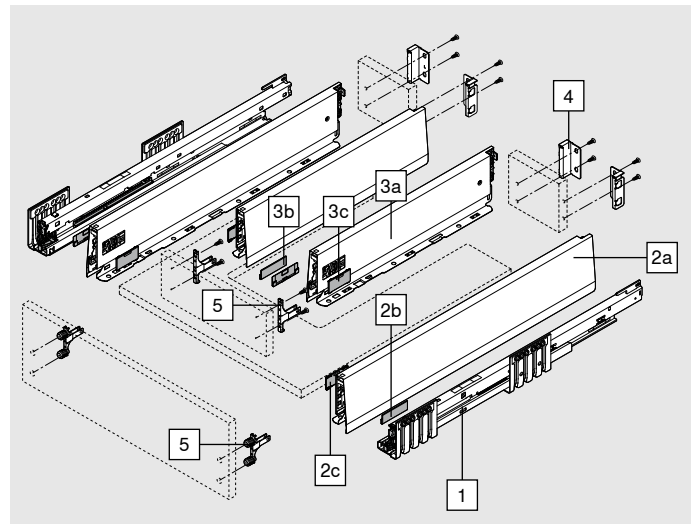
### Space requirement

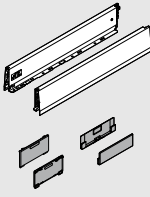


### Ordering information

1	Cabinet profile left/right		
	Nominal length NL (mm)	BLUMOTION*	
		40 kg	70 kg
	450	450.4501B	453.4501B
	500	450.5001B	453.5001B
	550	450.5501B	453.5501B
	600	450.6001B	453.6001B

\* Suitable for SERVO-DRIVE and TIP-ON BLUMOTION



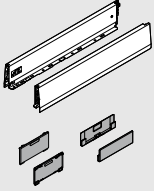
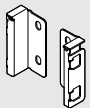
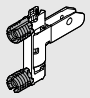
2	Outer drawer side set			
	Height of drawer side (mm)	M	91	
	Nominal length NL (mm)	SW-M	IG-M	OG-M
	450		470M4502S	
	500		470M5002S	
	550		470M5502S	
	600		470M6002S	

#### Consisting of:




2a	1 x	Drawer side left/right
2b	2 x	Branding element, stamped with Blum logo, custom printed from 1000 pcs
2c	2 x	Cover caps



## Ordering information

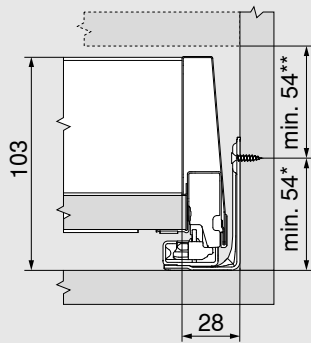
<b>3</b>	<b>Inner drawer side set</b>					
	<b>Height of drawer side (mm)</b>	M	91			
	<b>Nominal length NL (mm)</b>			SW-M	IG-M	OG-M
	300			470M3002S		
	350			470M3502S		
	400			470M4002S		
	450			470M4502S		
<b>Consisting of:</b>						
<b>3a</b>	1 x	Drawer side left/right				
<b>3b</b>	2 x	Branding element, stamped with Blum logo, custom printed from 1000 pcs				
<b>3c</b>	2 x	Cover caps				
<b>For effective use of storage space, we recommend:</b>						
External nominal length NL drawer sides - internal nominal length NL drawer sides = min. 150 mm						
<b>4</b>	<b>Chipboard back fixings left/right</b>					
	<b>Height</b>	<b>Material</b>				
	M	Steel		SW-M	IG-M	OG-M
				2 x	ZB4M000S	
<b>5</b>	<b>Front fixing bracket</b>					
	<b>Fixing method</b>					
	EXPANDO T			4 x	ZF4.10T2	
	INSERTA*			2 x	ZF4.10I2	
	Screw-on**			4 x	ZF4.10O2	
* Centre piece cannot be used with INSERTA!						
** Screws not included in scope of delivery						
EXPANDO T suitable for thin fronts – see page 61						

## Accessories

<b>Chipboard screw</b>					
	<b>Ø (mm)</b>	<b>Length (mm)</b>			
	3.5	15	For connecting the cabinet profile to the cabinet		609.1500
	3.5	17	For front fixing bracket (screw-on)		609.1700
<b>Fixing screw (flat head screw)</b>					
	<b>Ø (mm)</b>	<b>Length (mm)</b>	Maximum screw head height: 2 mm		
	3.5	15	For the connection of chipboard back fixings with chipboard back and drawer sides with drawer base		61R.1500
In order to achieve optimal assembly, we recommend that you use flat head screws for the chipboard back and drawer side					
<b>System screws</b>					
	<b>Ø (mm)</b>	<b>Length (mm)</b>			
	6	14.5	For connecting the cabinet profile to the cabinet		661.1450.HG

Planning

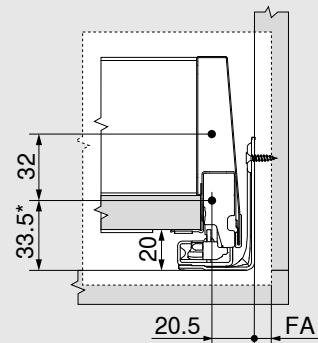
Space requirements in the cabinet



\* + 1 mm if cabinet profile is installed before cabinet is assembled

\*\* Incl. 2 mm tilt adjustment

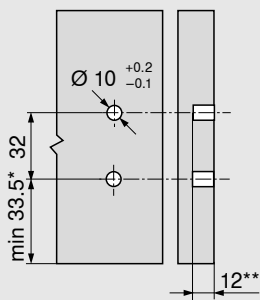
Front installation dimensions for screw-on assembly



\* + 1 mm if cabinet profile is installed before cabinet is assembled

FA Front overlay

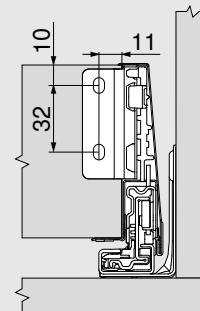
Front drilling distances for INSERTA/EXPANDO T



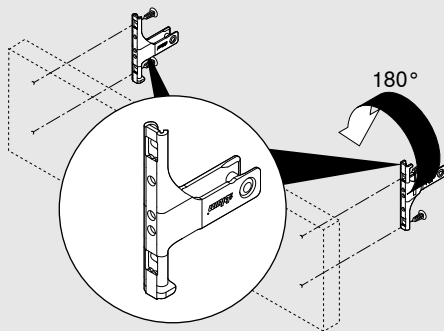
\* + 1 mm if cabinet profile is installed before cabinet is assembled

\*\* min. 6 mm for EXPANDO T

Back installation dimensions

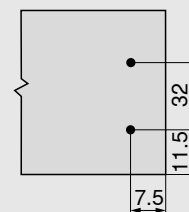


Rotation of front fixing bracket for centre piece



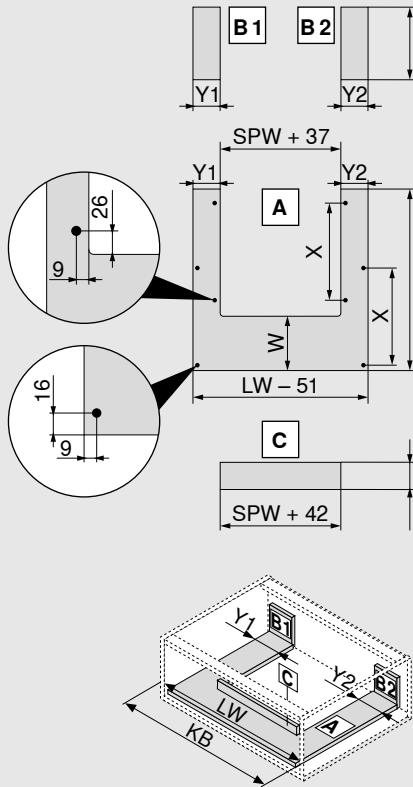
Cannot be used with INSERTA!

Centre piece drilling distances



Planning

Cutting dimensions for 16 mm chipboard



<b>Chipboard back</b>		<b>B (mm)</b>
Height		83
<b>Base length</b>		<b>A (mm)</b>
Chipboard back		NL - 26
<b>Y min.</b>	40 mm	
<b>Y min.</b>	99 mm with TIP-ON BLUMOTION	
<b>Y max.</b>	225 mm	

Position of drawer base drill hole

Pre-drilling possible when using a flat head screw	<b>NL (mm)</b>	<b>X (mm)</b>
	> 450	256

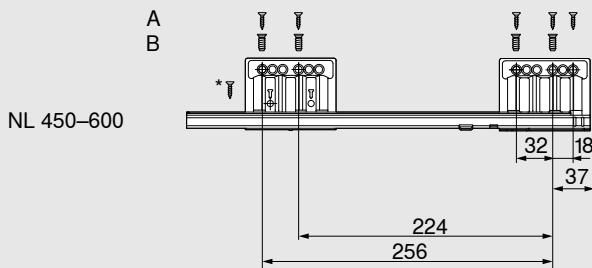
W For effective use of storage space, we recommend:  
NL of outer drawer sides - NL of inner drawer sides = min. 150 mm

<b>Centre piece</b>		<b>C (mm)</b>
Height		67

- KB Cabinet width
- LW Internal cabinet width
- NL Nominal length
- SPW Internal width between sink drawer sides

Cabinet profile screw position – 40 kg

Nominal length NL (mm)

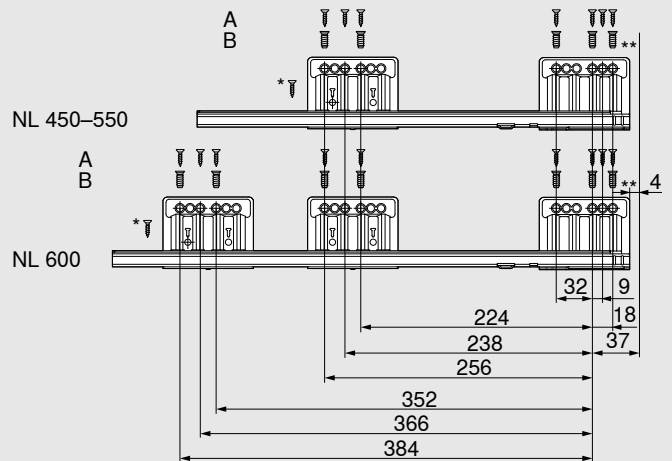


- A Chipboard screw Ø 4 x 15 mm
- B System screws Ø 6 x 14.5 mm
- \* For greater lateral stability  
Chipboard screw Ø 4 x 15 mm

Internal cabinet depth LT min. = NL + 3 mm

Cabinet profile screw position – 70 kg

Nominal length NL (mm)



- A Chipboard screw Ø 4 x 15 mm
- B System screws Ø 6 x 14.5 mm
- \* For greater lateral stability  
Chipboard screw Ø 4 x 15 mm

\*\* For greater vertical stability  
Can be replaced with chipboard screw Ø 4 x 15 mm

Internal cabinet depth LT min. = NL + 3 mm

## Product

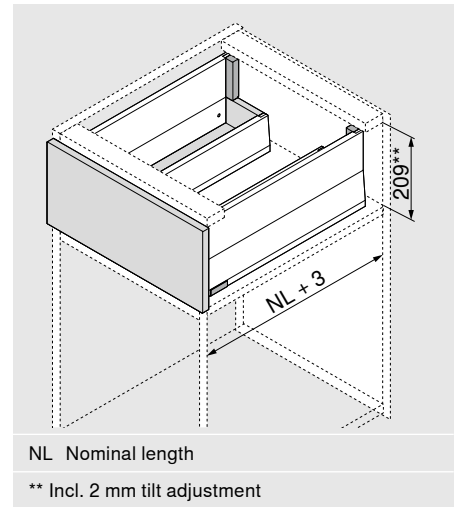


Example of inner pull-out using BOXCAP

## Description

- With centre piece for optimal use of storage space
- Can be implemented with standard components
- BLUMOTION cabinet profile for all applications with interface for TIP-ON BLUMOTION and side stabiliser
- Can be combined with SERVO-DRIVE

## Space requirement



## Ordering information

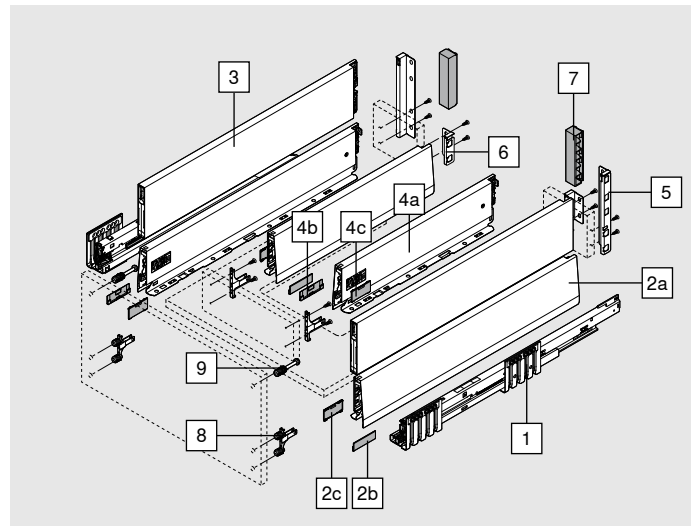
### Application recommendation

The outer sink drawer sides can be combined with all height E options. Please see the relevant page for planning information and the components to be ordered.

High fronted pull-out modular with gallery	<b>28</b>
High fronted pull-out modular with BOXCOVER	<b>32</b>
High fronted pull-out modular with BOXCAP	<b>36</b>

1	Cabinet profile left/right		
	Nominal length NL (mm)	BLUMOTION*	
		40 kg	70 kg
	450	450.4501B	453.4501B
	500	450.5001B	453.5001B
	550	450.5501B	453.5501B
	600	450.6001B	453.6001B

\* Suitable for SERVO-DRIVE and TIP-ON BLUMOTION



2	Outer drawer side set			
	Height of drawer side (mm)	M	91	
	Nominal length NL (mm)			
	450	SW-M	IG-M	OG-M
	500		470M4502S	
	550		470M5002S	
	600		470M5502S	
			470M6002S	

### Consisting of:

2a	1 x	Drawer side left/right
2b	2 x	Branding element, stamped with Blum logo, custom printed from 1000 pcs
2c	2 x	Cover caps

**Ordering information**

	<b>3</b> <b>BOXCAP left/right</b>						
	<b>Material</b>		Steel				
	<b>Nominal length NL (mm)</b>		SW-M	IG-M	OG-M		
	450		ZL4.450S.E				
	500		ZL4.500S.E				
	550		ZL4.550S.E				
600		ZL4.600S.E					
	<b>4</b> <b>Inner drawer side set</b>						
	<b>Height of drawer side (mm)</b>		M	91			
	<b>Nominal length NL (mm)</b>		SW-M	IG-M	OG-M		
	300		470M3002S				
	350		470M3502S				
	400		470M4002S				
450		470M4502S					
<b>Consisting of:</b>							
<b>4a</b>	1 x	Drawer side left/right					
<b>4b</b>	2 x	Branding element, stamped with Blum logo, custom printed from 1000 pcs					
<b>4c</b>	2 x	Cover caps					
<b>For effective use of storage space, we recommend:</b>							
NL of outer drawer sides - NL of inner drawer sides = min. 150 mm							
	<b>5</b> <b>External chipboard back fixing left/right</b>						
	<b>Height</b>		<b>Material</b>		SW-M	IG-M	OG-M
	E		Steel		ZB4E000S		
	<b>6</b> <b>Internal chipboard back fixing left/right</b>						
	<b>Height</b>		<b>Material</b>		SW-M	IG-M	OG-M
	M		Steel		ZB4M000S		
	<b>7</b>						
	<b>Version</b>		<b>Material</b>		SW-M	IG-M	OG-M
	Symmetrical		Nylon		2 x	ZB4M00AK	

### Ordering information

	<b>8 Front fixing bracket</b>		
	<b>Fixing method</b>		
	EXPANDO T	4 x	ZF4.10T2
	INSERTA*	2 x	ZF4.10I2
	Screw-on**	4 x	ZF4.10O2
* Centre piece cannot be used with INSERTA!			
** Screws not included in scope of delivery			
EXPANDO T suitable for thin fronts – see page 61			

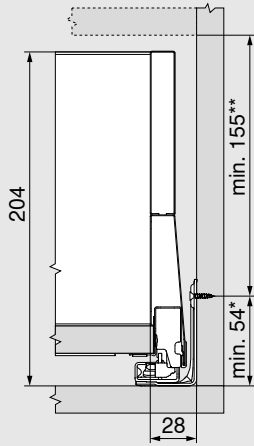
	<b>9 Front fixing bracket, top</b>		
	<b>Fixing method</b>		
	EXPANDO T	2 x	ZF4.50T2
	INSERTA	2 x	ZF4.50I2
	Screw-on – pre-assembled chipboard screw Ø 3.8 x 11.4 mm	2 x	ZF4.50O2
	Screw-on – countersunk screws with head diameter max. 7 mm, thread diameter max. 4 mm*	2 x	ZF4.50I2
* Screws not included in scope of delivery			
EXPANDO T suitable for thin fronts – see page 61			

### Accessories

Chipboard screw			
	Ø (mm)	Length (mm)	
	3.5	15	For connecting the cabinet profile to the cabinet
	3.5	17	For front fixing bracket (screw-on)
			609.1500
			609.1700
Fixing screw (flat head screw)			
	Ø (mm)	Length (mm)	
			Maximum screw head height: 2 mm
	3.5	15	For the connection of chipboard back fixings with chipboard back and drawer sides with drawer base
			61R.1500
In order to achieve optimal assembly, we recommend that you use flat head screws for the chipboard back and drawer side			
System screws			
	Ø (mm)	Length (mm)	
	6	14.5	For connecting the cabinet profile to the cabinet
			661.1450.HG

**Planning**

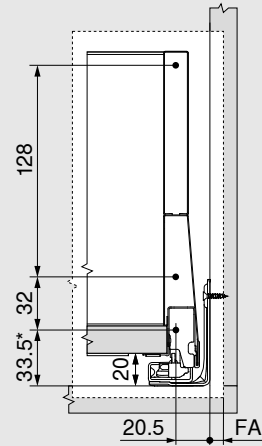
**Space requirements in the cabinet**



\* + 1 mm if cabinet profile is installed before cabinet is assembled

\*\* Incl. 2 mm tilt adjustment

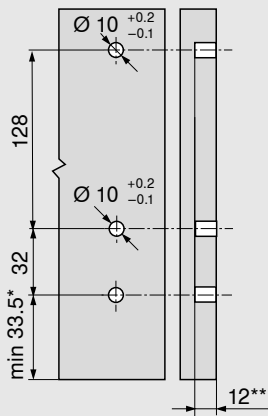
**Front installation dimensions for screw-on assembly**



\* + 1 mm if cabinet profile is installed before cabinet is assembled

FA Front overlay

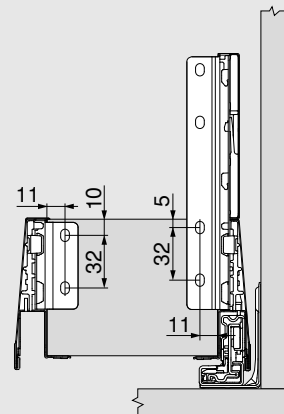
**Front drilling distances for INSERTA/EXPANDO T**



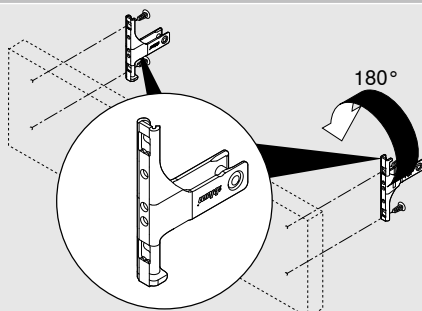
\* + 1 mm if cabinet profile is installed before cabinet is assembled

\*\* min. 6 mm for EXPANDO T

**Back installation dimensions**

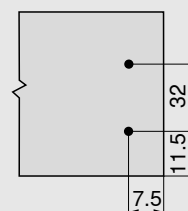


**Rotation of front fixing bracket for centre piece**



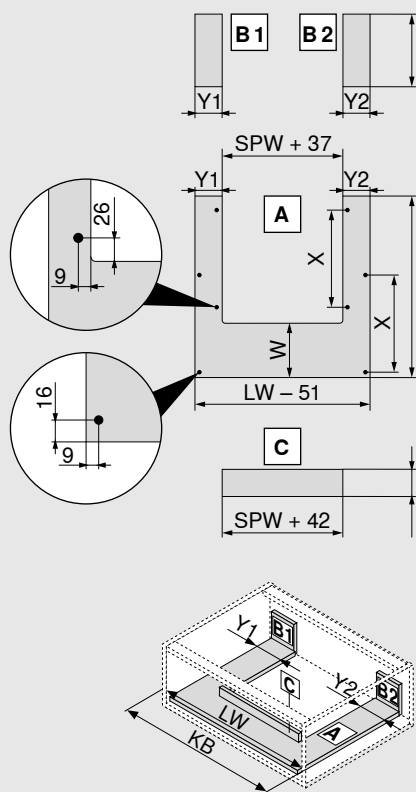
Cannot be used with INSERTA!

**Centre piece drilling distances**



## Planning

### Cutting dimensions for 16 mm chipboard



<b>Chipboard back</b>		<b>B (mm)</b>
Height		83
<b>Base length</b>		<b>A (mm)</b>
Chipboard back		NL - 26
<b>Y min.</b>	40 mm	
<b>Y min.</b>	99 mm with TIP-ON BLUMOTION	
<b>Y max.</b>	225 mm	

#### Position of drawer base drill hole

Pre-drilling possible when using a flat head screw	<b>NL (mm)</b>	<b>X (mm)</b>
	> 450	256

W For effective use of storage space, we recommend:  
 NL of outer drawer sides - NL of inner drawer sides = min. 150 mm

<b>Centre piece</b>		<b>C (mm)</b>
Height		67

KB Cabinet width

LW Internal cabinet width

NL Nominal length

SPW Internal width between sink drawer sides



Planning

**Cabinet profile screw position – 40 kg**

Nominal length NL (mm)

NL 450–600

A	Chipboard screw Ø 4 x 15 mm
B	System screws Ø 6 x 14.5 mm
*	For greater lateral stability Chipboard screw Ø 4 x 15 mm
Internal cabinet depth LT min. = NL + 3 mm	

**Cabinet profile screw position – 70 kg**

Nominal length NL (mm)

NL 450–550

NL 600

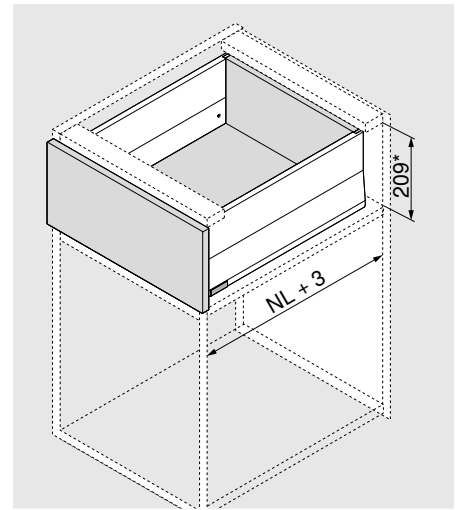
A	Chipboard screw Ø 4 x 15 mm
B	System screws Ø 6 x 14.5 mm
*	For greater lateral stability Chipboard screw Ø 4 x 15 mm
**	For greater vertical stability Can be replaced with chipboard screw Ø 4 x 15 mm
Internal cabinet depth LT min. = NL + 3 mm	

**Product**


Example of inner pull-out using BOXCAP

**Description**

- Cabinet profile with forward-set hook for waste bin applications
- BLUMOTION cabinet profile for all applications with interface for TIP-ON BLUMOTION
- Can be combined with SERVO-DRIVE
- Can be combined with all high fronted pull-out options in height E

**Space requirement**


\*\* Incl. 2 mm tilt adjustment

**Ordering information**
**Application recommendation**

The cabinet profile with over extension for waste bin applications can be combined with any high fronted pull-out option in height E. Please see the relevant page for the components to be ordered. All components apart from the cabinet profile are needed.

High fronted pull-out modular with gallery	<b>28</b>
High fronted pull-out modular with BOXCOVER	<b>32</b>
High fronted pull-out modular with BOXCAP	<b>36</b>

1	Cabinet profile left/right	
	Nominal length NL (mm)	BLUMOTION* 70 kg
	450 <sup>1</sup>	453.4501BZ
	500 <sup>2</sup>	453.5001BZ
	550 <sup>3</sup>	453.5501BZ

<sup>1</sup> Can be combined with NL 400 mm drawer side.

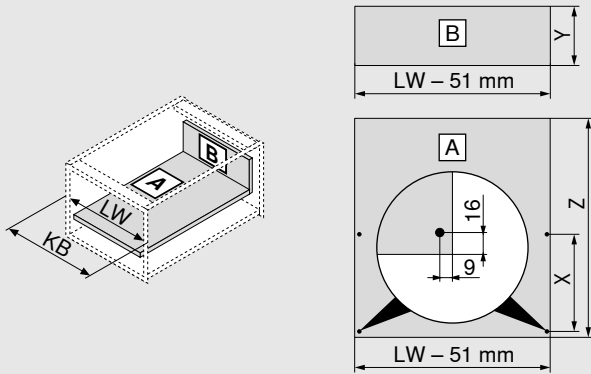
<sup>2</sup> Can be combined with NL 450 mm drawer side.

<sup>3</sup> Can be combined with NL 500 mm drawer side.

\* Suitable for SERVO-DRIVE and TIP-ON BLUMOTION

Planning

Cutting dimensions for 16 mm chipboard



<b>Chipboard back</b>	<b>Y (mm)</b>
Height	184
<b>Base length</b>	<b>Z (mm)</b>
Chipboard back	NL - 26

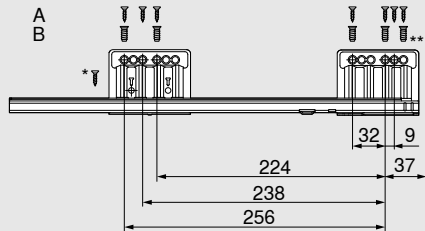
<b>Position of drawer base drill hole</b>		
Pre-drilling possible when using a flat head screw	<b>NL (mm)</b>	<b>X (mm)</b>
	> 450	256

KB Cabinet width  
 LW Internal cabinet width  
 NL Nominal length

Cabinet profile screw position – 70 kg

Nominal length NL (mm)

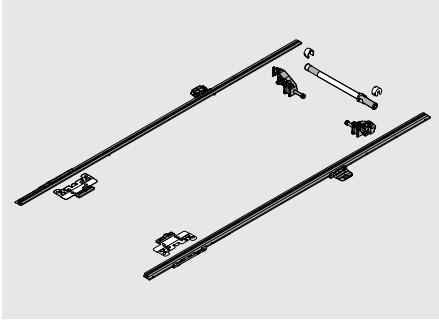
NL 450–550



A	Chipboard screw Ø 4 x 15 mm
B	System screws Ø 6 x 14.5 mm
*	For greater lateral stability Chipboard screw Ø 4 x 15 mm
**	For greater vertical stability Can be replaced with chipboard screw Ø 4 x 15 mm

Internal cabinet depth LT min. = NL + 3 mm

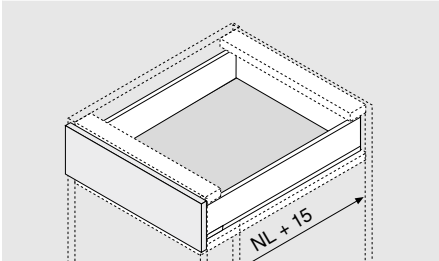
### Side stabiliser



### Description

- Additional stabilisation for extra wide pull-outs
- Recommendation: Cabinet width KB 900 up to 1400 mm
- Aluminium rod suitable for cabinet width KB 1400 mm, for cutting to size
- Suitable for use in combination with BLUMOTION, SERVO-DRIVE and TIP-ON BLUMOTION
- No additional space requirement at the bottom

### Space requirement



### Ordering information

#### Nominal length NL (mm)

270–400

**ZS4.400MU**

450–600

**ZS4.650MU**

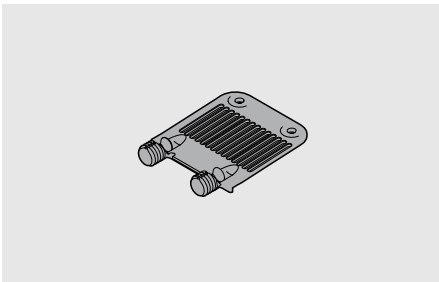
#### Shaft cutting

Internal cabinet width LW - 231 mm

#### Gear rack cutting

Nominal length NL + 10 mm

### Front/base stabiliser



### Description

- For supporting wide drawer bases

### Ordering information

#### Front/base stabiliser

#### Colour

RAL 7037 dust grey

#### Material

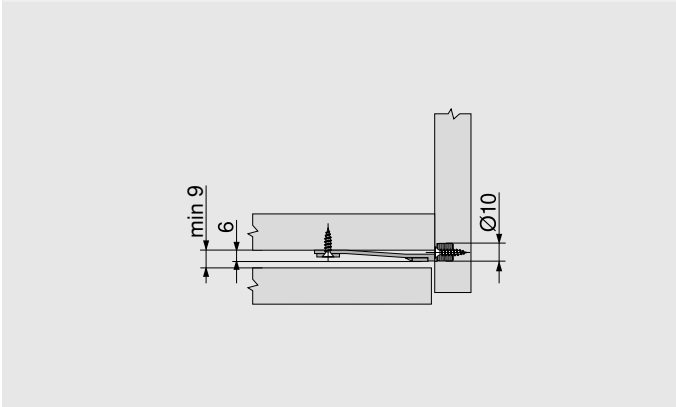
Nylon

**Z96.10E1**

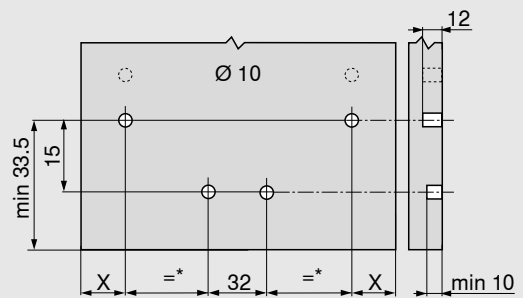
#### Recommendation:

Cabinet width KB &gt; 600 mm: 1 pc

### Space requirement



### Front drilling distances



X 20.5 mm + front overlay FA

\* min. 105

### TORX screwdriver



### Description

- TORX size 20 (T20)
- Blade length 35/100 mm
- Total length 100/210 mm
- Orange handle with Blum logo
- To make adjustments

### Ordering information

#### TORX screwdriver

#### Total length (mm)

100

210

#### Blade length (mm)

35

100

**623.882.2**
**209.093.7**

**Product**



- EXPANDO T – pre-assembled fixing system
- Thin fronts of 8 mm or more
- Different front materials
- 3 different applications – lift systems | hinge systems | box systems

**Ordering information**

Front fixing bracket		
	Front fixing bracket	ZF4.10T2
	Front fixing bracket, top	ZF4.50T2

Front/base stabiliser			
	Colour	Material	
	RAL 7037 dust grey	Nylon	Z96.00T1
<b>Recommendation:</b>			
Cabinet width KB > 600 mm: 1 piece			
Cabinet width KB > 900 mm: 2 piece			
Front height FH > 380 mm: 1 piece			

Front/base stabiliser	
Space requirement	

Drilling pattern/drilling depth	
X = 14 mm + front overlay FA	
* For stone and ceramics +0.2/-0.1 mm	
** min. 80	

EXPANDO T			
Area of application and assembly recommendation			
<p>EXPANDO T is suitable for fixing Blum fittings to thin cabinet fronts of all types of materials in cabinet construction.</p> <p>Materials can be just 8 mm thick or more, provided they are sufficiently stable and strong.</p>	<b>Materials tested by Blum</b>	<b>Transverse tensile strength (N/mm<sup>2</sup>)</b>	<b>Nm</b>
	Chipboard	> 0.40	1.5
MDF	> 0.60	1.5	
HDF		2	
HPL		2	
Mineral composites		2	
Granite stone – Nero Assoluto		3	
Artificial stone – quartz composite		3	
Ceramic panels		3	
Nm Minimum tightening torque			

**Liability disclaimer**

Blum accepts no liability for the use of EXPANDO T in combination with materials not listed or fittings from other manufacturers. It is recommended that the assembly be carried out by an experienced furniture manufacturer.

### BOXFIX plus



- Pneumatic assembly device for the efficient assembly of drawers and high fronted pull-outs
- Assembly type: Screws (or nails)
- Nominal length: 270–650 mm
- Cabinet width: 275–1200 mm
- Can be used for chipboard back and steel back

#### Ordering information

##### BOXFIX plus

	ZMM.2500
--	----------

### BOXFIX E-M



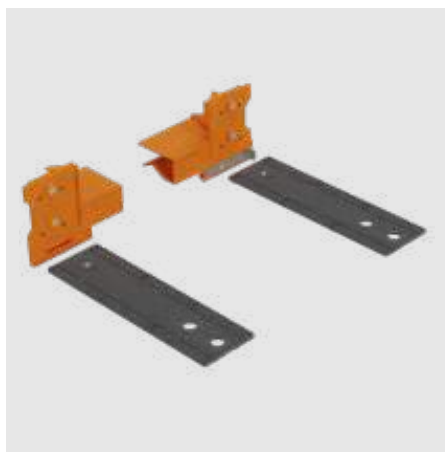
- Convenient device for fast assembly of MERIVOBX
- All MERIVOBX components are assembled seamlessly with great precision
- For all drawer side materials
- Assembly type: Screws
- Nominal length: 270–650 mm
- Cabinet width: 250–1200 mm
- Material: Nylon/steel

#### Ordering information

##### BOXFIX E-M

	ZMM.0400
--	----------

### Marking template for MERIVOBX



- Template for marking the fixing positions of front fixings
- Material: Nylon/steel

#### Ordering information

##### Marking template for MERIVOBX

	ZML.4010
--	----------

### MINIPRESS top



- Automatically calculates the exact drilling positions (combined with EASYSTICK)
- Ruler moves automatically (x-axis) for workpiece dimensions up to 2681 mm
- Vertical drilling unit (y-axis) moves automatically up to 350 mm
- Tool-free drill head clamping technology
- Optional horizontal drilling
- Quick change of drilling heads already equipped with drill bits

Ordering information	
<b>MINIPRESS top with EASYSTICK</b>	
incl. HOZ	<b>M75E2000</b>
	<b>M70E2000</b>
<b>MINIPRESS top without EASYSTICK</b>	
incl. HOZ	<b>M75.2000</b>
	<b>M70.2000</b>
HOZ Horizontal drilling machine	

### MINIPRESS P



- Makes it easy to drill fixing holes for MERIVOBX front fixing brackets, cabinet profiles, drawer bases and chipboard back fixings.

Ordering information	
<b>MINIPRESS P</b>	
	<b>M53.1050</b>

### EASYSTICK




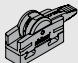
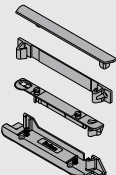

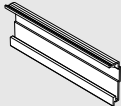
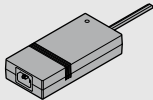
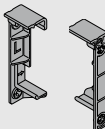
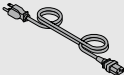
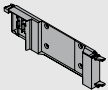
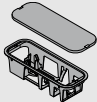
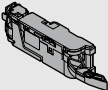
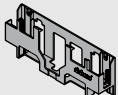


- EASYSTICK – the new, automatic and easy to set up ruler system for drilling and insertion machines from Blum
- Tool-free adjustment and digital determination of the fixing positions for MERIVOBX front fixing bracket and cabinet profiles
- Transfer of planned data from the Cabinet Configurator via USB stick directly onto EASYSTICK
- The barcode scanner allows you to retrieve and edit imported manufacturing and drilling data

Ordering information	
<b>EASYSTICK</b>	
Ruler	<b>MZD.2000</b>
Computer	<b>MZD.5000</b>

## Components

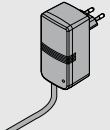
### Overview

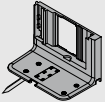
<p><b>Blum distance bumper</b></p> 	<p>The Blum distance bumper ensures the required trigger path of 2 mm.</p>	<p><b>SERVO-DRIVE distribution cable for cutting to size</b></p> 	<p>This cable is used to supply the power required by the cabinet units and/or drive units. The max. permitted operating voltage is 24 V. Colour black.</p> <p>Note: This cable must not be directly connected to the mains power outlet.</p>
<p><b>Bracket profile</b></p> 	<p>The drive units are attached to the bracket profile.</p>	<p><b>Connecting node</b></p> 	<p>This node establishes the electrical connection between the SERVO-DRIVE distribution cable and the bracket profile and/or the SERVO-DRIVE power supply unit.</p>
<p><b>Bracket profile attachment and bracket profile cover cap</b></p> 	<p>These components are used to attach the bracket profile to a horizontal and/or vertical cross member.</p>	<p><b>Cable end protector</b></p> 	<p>The cable end protector is inserted onto the "open" ends of the cable.</p>
<p><b>Horizontal bracket profile</b></p> 	<p>The drive unit is attached to the bracket profile using the bracket profile adapter.</p>	<p><b>24-watt SERVO-DRIVE power supply unit</b></p> 	<p>The SERVO-DRIVE power supply unit can be used around the world. It converts the country-specific mains voltage to 24-volt direct current. You must use a flex with a regular plug for the respective country depending on the installation location. The SERVO-DRIVE power supply unit can supply power to several drive units, with usually one power supply unit being required for the entire kitchen.</p>
<p><b>Bracket profile attachment</b></p> 	<p>This component is used for attaching the horizontal bracket profile.</p>	<p><b>Flex</b></p> 	<p>This cable supplies power to the 24-watt SERVO-DRIVE power supply unit. Country-specific plugs are available.</p>
<p><b>Bracket profile adapter for drive unit</b></p> 	<p>The adapter is used to attach the drive unit to the horizontal bracket profile.</p>	<p><b>Power supply unit housing</b></p> <p><b>Base fixing</b></p> 	<p>The "base fixing" power supply unit housing securely accommodates the power supply unit on the cabinet base panel.</p>
<p><b>Drive unit</b></p> 	<p>The drive unit is supplied with a lever extension. The lever extension must be removed in special applications such as narrow cabinets, so that the drive unit can be installed (see planning information).</p>	<p><b>Power supply unit housing</b></p> <p><b>Panel fixing</b></p> 	<p>Use the "panel fixing" power supply unit housing if the SERVO-DRIVE power supply unit is to be attached to the wall or a vertical panel.</p>

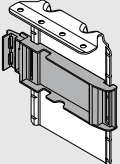


## Components

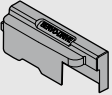
### Overview

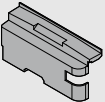
12-watt SERVO-DRIVE plug-in power supply unit	
	The SERVO-DRIVE plug-in power supply unit supplies power to a single drive unit (individual applications).

Attachment bracket 1 tier	
	You can use attachment brackets if single pull-outs are to be operated or if the installation situation does not permit a continuous bracket profile.

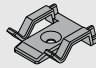
Upper attachment bracket with pre-mounted adapter for drive unit	
	The drive unit is fixed to the pre-mounted adapter on the upper attachment bracket.

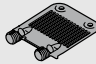
### Accessories


Drip protection feature for attachment bracket 1 tier	
	The drip protection feature prevents water from penetrating the drive unit. Suitable for applications with an attachment bracket 1 tier.

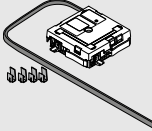
Drip protection feature for horizontal applications	
	The drip protection feature prevents water from penetrating the drive unit. Suitable for applications with a horizontal bracket profile.


### Accessories


Cable holder	
	The cable holder allows you to route the distribution cable safely and neatly.

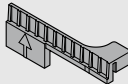
Front/base stabiliser	
	Stabilises wide drawer bases. Reinforces the connection between base and front.

Synchronisation cable	
	The synchronisation cable allows you to synchronise two or more interconnected drive units.

COMBOX	
	Prevents front collisions when using SERVO-DRIVE in corner applications.  Compatible with drive units Z10A3000.02 onwards

Communication cable	
	Connects drive units that need to open simultaneously.

Assembly device	
	No pre-drilling, self-adhesive For positioning the SERVO-DRIVE uno unit.

Transport protection	
	Serves to protect the SERVO-DRIVE uno set during transportation. Remove before use.



## Standard cabinet with horizontal and vertical cross members

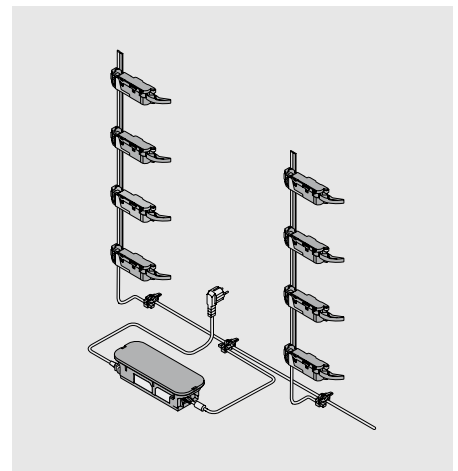
### Product




### Description


- Electrical opening support system in combination with BLUMOTION for soft and effortless closing
- With vertical bracket profile
- No fixed connection between the drive unit and pull-out
- Pull-outs need not be modified
- Tool-free assembly
- Simple cabling
- Shallow installation depth

### Cabling



### Ordering information

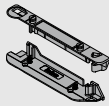
1	<b>Blum distance bumper</b>		
		<b>Ø (mm)</b>	
		5	993.0530
8	993.0830.01		
Up to front height 300 mm, use 2 pcs			
From front height 300 mm, use 4 pcs			
For 70 kg MERIVOBX cabinet profile, use 4 pcs			

2	<b>Bracket profile</b>			
		<b>Length (mm)</b>	<b>Cable</b>	
		650	●	Z10T650AA
		700	●	Z10T700AA
		710	●	Z10T710AA
		750	●	Z10T750AA
		800	●	Z10T800AA
1170		-	Z10T1170A	

Aluminium for cutting to size

**Cutting** Internal cabinet height LH - 10 mm

●	With cable
-	Without cable

3	<b>Bracket profile attachment top/bottom</b>		
	Horizontal cross member		
	<b>Colour</b>	<b>Material</b>	
	R7037	Nylon	Z10D01E0.01

#### Alternative

-	<b>Bracket profile attachment bottom/back</b>		
	Vertical cross member		
	<b>Colour</b>	<b>Material</b>	
	R7037	Nylon	Z10D01EA.01
Incl. bracket profile cover cap			

4	<b>Drive unit</b>		
	<b>Colour</b>	<b>Material</b>	
	R7037	Nylon	Z10A3000.03
Includes pre-assembled lever extension			

5	<b>SERVO-DRIVE distribution cable and cable end protector</b>		
	<b>Colour</b>	<b>Length (m)</b>	
	S	8	Z10K800AE

#### Consisting of:

<b>5a</b>	1 x	SERVO-DRIVE distribution cable
<b>5b</b>	5 x	Cable end protector

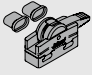
Can be used as a distribution, bracket profile and communications cable

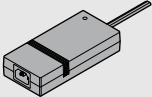
For cutting to size

<b>Colour</b>	
R7037	RAL 7037 dust grey
S	Black

## Standard cabinet with horizontal and vertical cross members

### Ordering information

<b>6</b>		<b>Connecting node and cable end protector</b>		
		<b>Colour</b>	<b>Material</b>	
		S	Nylon	<b>Z10V100E.01</b>
<b>Consisting of:</b>				
<b>6a</b>	1 x	Connecting node		
<b>5b</b>	2 x	Cable end protector		

<b>7</b>		<b>24-watt SERVO-DRIVE power supply unit</b>			
		<b>A</b>	<b>Z10NE030A</b>	<b>F</b>	<b>Z10NE030F</b>
		<b>B</b>	<b>Z10NE030B</b>	<b>G</b>	<b>Z10NE030G</b>
		<b>C</b>	<b>Z10NE030C</b>	<b>H</b>	<b>Z10NE030H</b>
		<b>D</b>	<b>Z10NE030D</b>	<b>J</b>	<b>Z10NE030J</b>
		<b>E</b>	<b>Z10NE030E</b>		

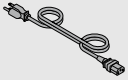
Includes operating and installation instructions

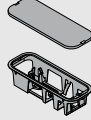
Without flex

#### Language package

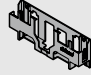
<b>A</b>	DE, EN, FR, IT, NL	<b>F</b>	BG, ET, LT, LV, RO, RU
<b>B</b>	DA, EN, FI, NO, SV	<b>G</b>	EN, ES, FR
<b>C</b>	EL, EN, HR, SL, SR, TR	<b>H</b>	EN, ZH
<b>D</b>	EN, ES, FR, IT, PT	<b>J</b>	JA
<b>E</b>	CS, HU, PL, SK		

Language descriptions as per ISO-639

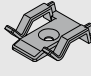
<b>-</b>		<b>Flex</b>			
		<b>Market</b>		<b>Market</b>	
		AR	<b>Z10M200A</b>	JP	<b>Z10M200J</b>
		UK	<b>Z10M200B</b>	AU	<b>Z10M200K</b>
		CH	<b>Z10M200C</b>	CL	<b>Z10M200L</b>
		DK	<b>Z10M200D</b>	CN	<b>Z10M200N</b>
		Europe	<b>Z10M200E</b>	BR	<b>Z10M200S.01</b>
		Europe <sup>1</sup>	<b>Z10M200E.OS</b>	TW	<b>Z10M200T</b>
		IN	<b>Z10M200H</b>	US, CA	<b>Z10M200U</b>
		IL	<b>Z10M200I</b>	ZA	<b>Z10M200Z</b>
Length 2 m, incl. plug					
<sup>1</sup> Without plug					

<b>8</b>		<b>Power supply unit housing</b>		
		Base mounting		
		<b>Colour</b>	<b>Material</b>	
		R7037	Nylon	<b>Z10NG000</b>
Includes cover				
For 24-watt SERVO-DRIVE power supply unit				


#### Alternative


<b>-</b>		<b>Power supply unit housing</b>		
		Panel fixing		
		<b>Colour</b>	<b>Material</b>	
		WGR	Nylon	<b>Z10NG120</b>
For 24-watt SERVO-DRIVE power supply unit				

#### Accessories

<b>-</b>		<b>Cable holder</b>		
		<b>Colour</b>	<b>Material</b>	
		W	Nylon	<b>Z10K0009</b>
E.g. for fixing the SERVO-DRIVE distribution cable				

<b>-</b>		<b>Front/base stabiliser</b>		
		<b>Colour</b>	<b>Material</b>	
		R7037	Nylon	<b>Z96.10E1</b>

<b>-</b>		<b>Synchronisation cable</b>		
		<b>Length (mm)</b>		
		80		<b>Z10K008S</b>
		500		<b>Z10K050S</b>
		1200		<b>Z10K120S</b>
		1600		<b>Z10K160S</b>
Connects two drive units that need to open simultaneously				

<b>-</b>		<b>COMBOX set</b>		
		<b>Colour</b>	<b>Material</b>	
		S	Nylon	<b>Z10ZC00A</b>

Prevents front collisions when using SERVO-DRIVE in corner applications

Compatible with drive units Z10A3000.02 onwards

Can be used in combination with Z10K300A

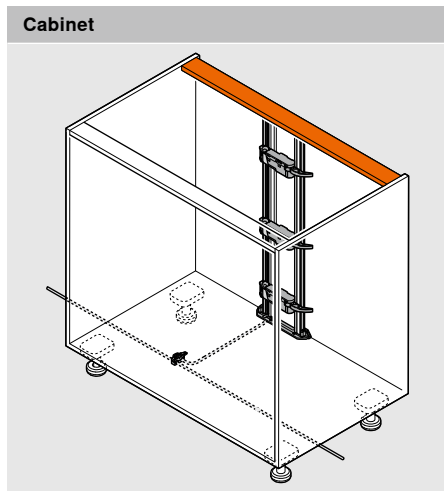
Includes all assembly and cabling components

#### Colour

R7037	RAL 7037 dust grey
S	Black
W	White
WGR	White grey

**Standard cabinet – horizontal cross member**

**Planning**



**Position of drive unit**

PL = LH - 10 mm

Round down to the nearest tenth

LH Internal cabinet height

PL Bracket profile length

A Distance between bottom edge of cabinet profile and bottom edge of drive unit

E Minimum distance between the bottom edge of the cabinet top panel and the fixing position of the cabinet profile

**Drive unit position**

Back height	Internal cabinet width LW (mm)							
	242–266		267–286		287–316		≥ 317	
	A (mm)	E min. (mm)	A (mm)	E min. (mm)	A (mm)	E min. (mm)	A (mm)	E min. (mm)
N	–	–	28	32	28	32	28	32
M   K   E	–	–	45	54	45	54	45	54

A Distance between bottom edge of cabinet profile and bottom edge of drive unit

E Minimum distance between the bottom edge of the cabinet top panel and the fixing position of the cabinet profile

– Not possible

**Drilling distances**

**Cabinet base | Cross member**

<b>X (mm)</b>	NL + 19
<b>Y (mm)</b>	NL + 33

NL Nominal length

X Drilling position

Y Min. space requirement

Z Indent distance

This bracket profile assembly position ensures that both inset pull-outs and pull-outs with overlay fronts can be opened by pushing or pulling. For this application, the following general dimensions apply:

Back height	Internal cabinet width LW (mm)									
	242–266		267–286		287–316		317–386		≥ 387	
	Z (mm)	H.	Z (mm)	H.	Z (mm)	H.	Z (mm)	H.	Z (mm)	H.
N	–	–	174	✘	174	●	174	●	LW/2	●
M   K   E	–	–	174	✘	174	●	174	●	LW/2	●

H. Lever extension

Z Indent distance

● Required

✘ Remove

LW Internal cabinet width

– Not possible

## Standard cabinet – vertical cross member

### Planning

Cabinet	Position of drive unit
	<p>PL = LH - 10 mm</p> <p>Round down to the nearest tenth</p> <p>LH Internal cabinet height</p> <p>PL Bracket profile length</p> <p>A Distance between bottom edge of cabinet profile and bottom edge of drive unit</p> <p>E Minimum distance between the bottom edge of the cabinet top panel and the fixing position of the cabinet profile</p>

Drive unit position									
Back height	Internal cabinet width LW (mm)								
	242–266		267–286		287–316		≥ 317		
	A (mm)	E min. (mm)	A (mm)	E min. (mm)	A (mm)	E min. (mm)	A (mm)	E min. (mm)	
N	–	–	28	32	28	32	28	32	
M   K   E	–	–	45	54	45	54	45	54	
A Distance between bottom edge of cabinet profile and bottom edge of drive unit									
E Minimum distance between the bottom edge of the cabinet top panel and the fixing position of the cabinet profile									
– Not possible									

Drilling distances													
Cabinet base   Cross member													
	<table border="1"> <tr> <td><b>X (mm)</b></td> <td>NL + 19</td> </tr> <tr> <td><b>T (mm)</b></td> <td>NL + 34</td> </tr> <tr> <td>NL</td> <td>Nominal length</td> </tr> <tr> <td>T</td> <td>Position front edge – cross member</td> </tr> <tr> <td>X</td> <td>Drilling position</td> </tr> <tr> <td>Z</td> <td>Indent distance</td> </tr> </table> <p>This bracket profile assembly position ensures that both inset pull-outs and pull-outs with overlay fronts can be opened by pushing or pulling. For this application, the following general dimensions apply:</p>	<b>X (mm)</b>	NL + 19	<b>T (mm)</b>	NL + 34	NL	Nominal length	T	Position front edge – cross member	X	Drilling position	Z	Indent distance
<b>X (mm)</b>	NL + 19												
<b>T (mm)</b>	NL + 34												
NL	Nominal length												
T	Position front edge – cross member												
X	Drilling position												
Z	Indent distance												

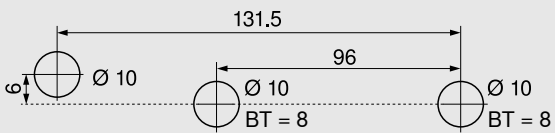
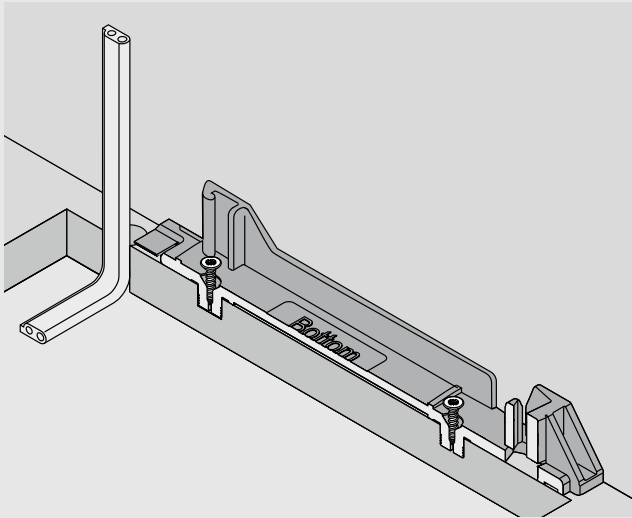
Back height	Internal cabinet width LW (mm)									
	242–266		267–286		287–316		317–386		≥ 387	
	Z (mm)	H.	Z (mm)	H.	Z (mm)	H.	Z (mm)	H.	Z (mm)	H.
N	–	–	174	✘	174	●	174	●	LW/2	●
M   K   E	–	–	174	✘	174	●	174	●	LW/2	●
H. Lever extension				LW Internal cabinet width						
Z Indent distance				– Not possible						
● Required				✘ Remove						

Standard cabinet – horizontal/vertical cross member

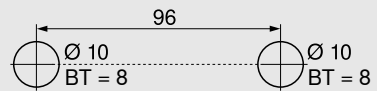
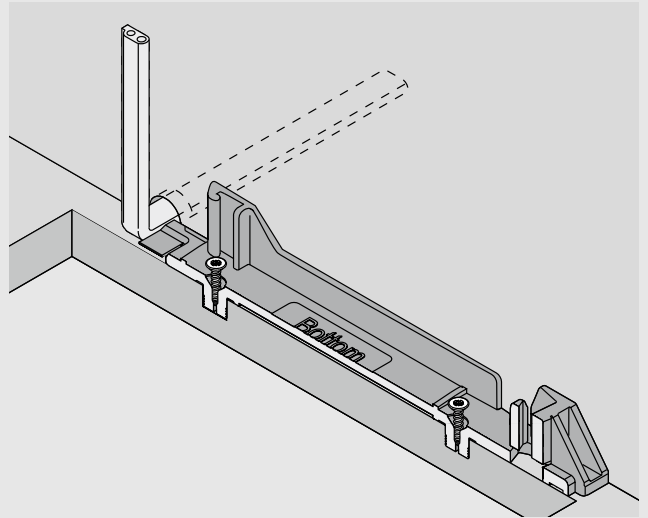
Planning

Cabinet base – drilling pattern

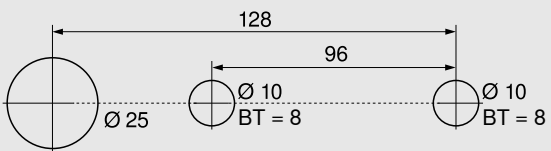
Lower cabling



Back cabling



Alternative drilling pattern for MINIPRESS top and MINIPRESS



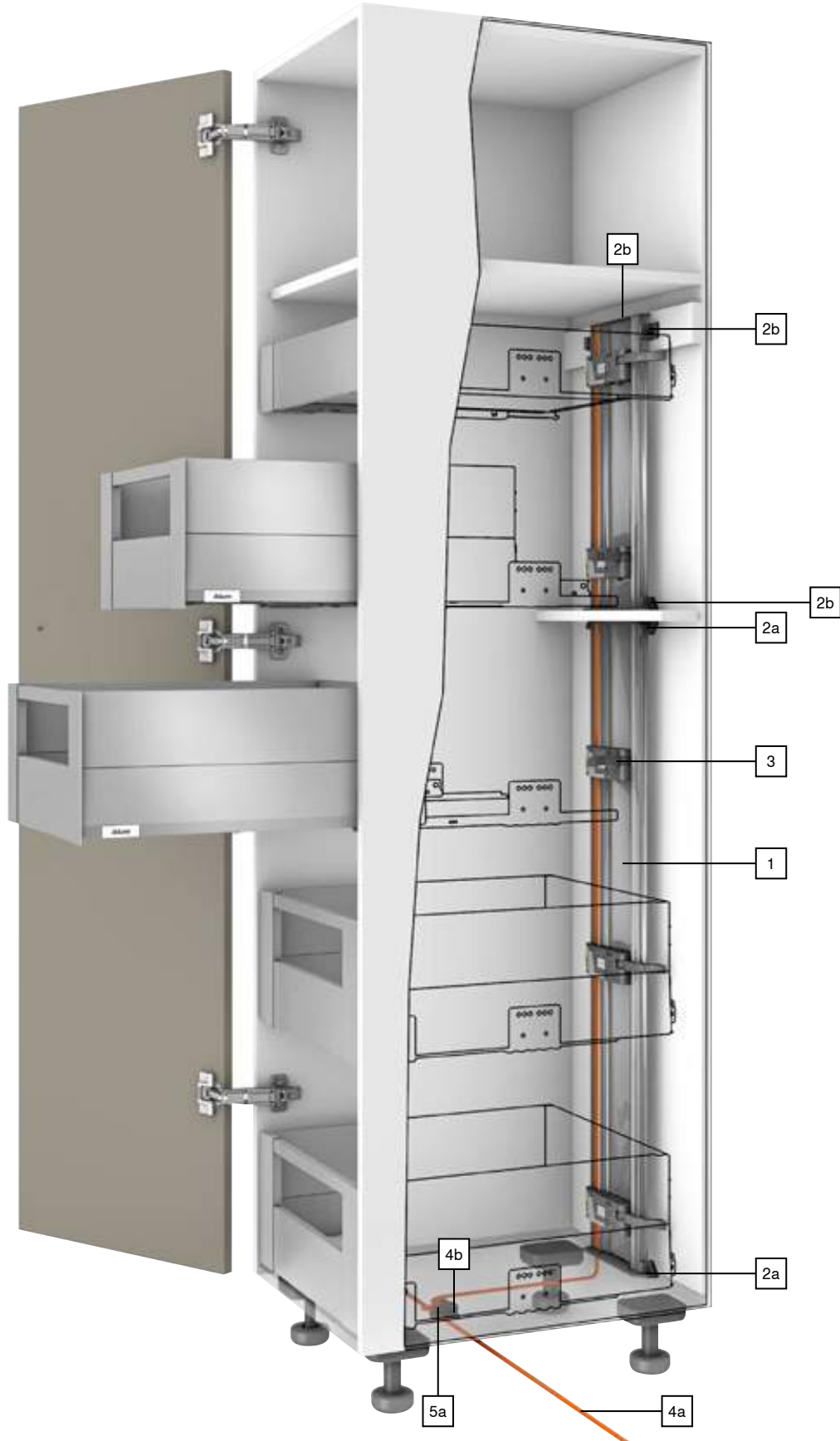
BT Drilling depth

Front assembly

Blum distance bumper

See page

SPACE TOWER





## SPACE TOWER

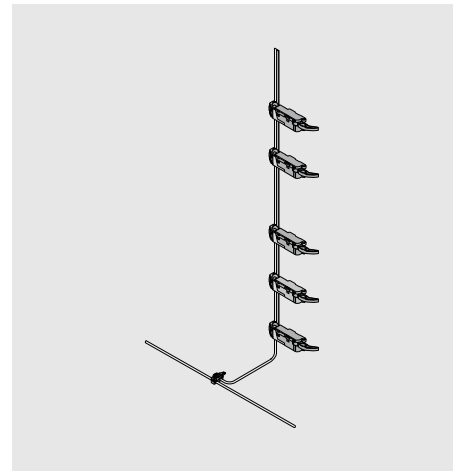
### Product



### Description

- Electrical opening support system in combination with BLUMOTION for soft and effortless closing
- With vertical bracket profile
- No fixed connection between the drive unit and pull-out
- Pull-outs need not be modified
- Tool-free assembly
- Simple cabling
- Shallow installation depth
- SERVO-DRIVE for MERIVOBX is only triggered by pulling for inset application pull-outs

### Cabling



### Ordering information

	<b>1 Bracket profile</b>		
	<b>Length (mm)</b>	<b>Cable</b>	
	650	●	Z10T650AA
	700	●	Z10T700AA
	710	●	Z10T710AA
	750	●	Z10T750AA
	800	●	Z10T800AA
	1170	-	Z10T1170A
Aluminium for cutting to size			
<b>Cutting</b>	Internal cabinet height LH - 10 mm		
●	With cable		
-	Without cable		
	<b>2a Bracket profile attachment top/bottom</b>		
	Horizontal cross member		
	<b>Colour</b>	<b>Material</b>	
R7037	Nylon	Z10D01E0.01	
<b>Alternative 2a</b>			
	<b>2b Bracket profile attachment bottom/back</b>		
	Vertical cross member		
	<b>Colour</b>	<b>Material</b>	
R7037	Nylon	Z10D01EA.01	
Incl. bracket profile cover cap			
	<b>3 Drive unit</b>		
	<b>Colour</b>	<b>Material</b>	
	R7037	Nylon	Z10A3000.03
Includes pre-assembled lever extension			

	<b>4 SERVO-DRIVE distribution cable and cable end protector</b>		
	<b>Colour</b>	<b>Length (m)</b>	
	S	8	Z10K800AE
<b>Consisting of:</b>			
<b>4a</b>	1 x	SERVO-DRIVE distribution cable	
<b>4b</b>	5 x	Cable end protector	
Can be used as a distribution, bracket profile and communications cable			
For cutting to size			
	<b>5 Connecting node and cable end protector</b>		
	<b>Colour</b>	<b>Material</b>	
	S	Nylon	Z10V100E.01
<b>Consisting of:</b>			
<b>5a</b>	1 x	Connecting node	
<b>4b</b>	2 x	Cable end protector	
<b>Colour</b>			
R7037	RAL 7037 dust grey		
S	Black		

## SPACE TOWER

### Ordering information

24-watt SERVO-DRIVE power supply unit				
	<b>A</b>	<b>Z10NE030A</b>	<b>F</b>	<b>Z10NE030F</b>
	<b>B</b>	<b>Z10NE030B</b>	<b>G</b>	<b>Z10NE030G</b>
	<b>C</b>	<b>Z10NE030C</b>	<b>H</b>	<b>Z10NE030H</b>
	<b>D</b>	<b>Z10NE030D</b>	<b>J</b>	<b>Z10NE030J</b>
	<b>E</b>	<b>Z10NE030E</b>		
Includes operating and installation instructions				
Without flex				
<b>Language package</b>				
<b>A</b>	DE, EN, FR, IT, NL	<b>F</b>	BG, ET, LT, LV, RO, RU	
<b>B</b>	DA, EN, FI, NO, SV	<b>G</b>	EN, ES, FR	
<b>C</b>	EL, EN, HR, SL, SR, TR	<b>H</b>	EN, ZH	
<b>D</b>	EN, ES, FR, IT, PT	<b>J</b>	JA	
<b>E</b>	CS, HU, PL, SK			
Language descriptions as per ISO-639				

Flex				
	<b>Market</b>		<b>Market</b>	
	AR	<b>Z10M200A</b>	JP	<b>Z10M200J</b>
	UK	<b>Z10M200B</b>	AU	<b>Z10M200K</b>
	CH	<b>Z10M200C</b>	CL	<b>Z10M200L</b>
	DK	<b>Z10M200D</b>	CN	<b>Z10M200N</b>
	Europe	<b>Z10M200E</b>	BR	<b>Z10M200S.01</b>
	Europe <sup>1</sup>	<b>Z10M200E.OS</b>	TW	<b>Z10M200T</b>
	IN	<b>Z10M200H</b>	US, CA	<b>Z10M200U</b>
	IL	<b>Z10M200I</b>	ZA	<b>Z10M200Z</b>
Length 2 m, incl. plug				
<sup>1</sup> Without plug				

Power supply unit housing			
	Base mounting		
	<b>Colour</b>	<b>Material</b>	
	R7037	Nylon	<b>Z10NG000</b>
Includes cover			
For 24-watt SERVO-DRIVE power supply unit			

### Alternative

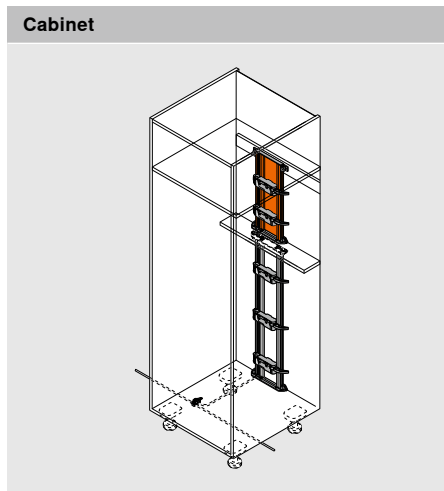
Power supply unit housing			
	Panel fixing		
	<b>Colour</b>	<b>Material</b>	
	WGR	Nylon	<b>Z10NG120</b>
For 24-watt SERVO-DRIVE power supply unit			

### Accessories

Cable holder			
	<b>Colour</b>	<b>Material</b>	
	W	Nylon	<b>Z10K0009</b>
E.g. for fixing the SERVO-DRIVE distribution cable			
Colour			
R7037	RAL 7037 dust grey		
W	White		
WGR	White grey		

**SPACE TOWER – top bracket profile**

**Planning**



**Position of drive unit**

PL = LH - 10 mm

Round down to the nearest tenth

LH Internal cabinet height

PL Bracket profile length

A Distance between bottom edge of cabinet profile and bottom edge of drive unit

E Minimum distance between the bottom edge of the cabinet top panel and the fixing position of the cabinet profile

**Drive unit position**

Back height	Internal cabinet width LW (mm)							
	242–266		267–286		287–316		≥ 317	
	A (mm)	E min. (mm)	A (mm)	E min. (mm)	A (mm)	E min. (mm)	A (mm)	E min. (mm)
N	–	–	28	32	28	32	28	32
M   K   E	–	–	45	54	45	54	45	54

A Distance between bottom edge of cabinet profile and bottom edge of drive unit

E Minimum distance between the bottom edge of the cabinet top panel and the fixing position of the cabinet profile

– Not possible

**Drilling distances**

**Cabinet base | Cross member**

<b>X (mm)</b>	NL + 19
<b>T (mm)</b>	NL + 34

NL Nominal length

T Position front edge – cross member

X Drilling position

Z Indent distance

This bracket profile assembly position ensures that both inset pull-outs and pull-outs with overlay fronts can be opened by pushing or pulling. For this application, the following general dimensions apply:

Back height	Internal cabinet width LW (mm)									
	242–266		267–286		287–316		317–386		≥ 387	
	Z (mm)	H.	Z (mm)	H.	Z (mm)	H.	Z (mm)	H.	Z (mm)	H.
N	–	–	174	✘	174	●	174	●	LW/2	●
M   K   E	–	–	174	✘	174	●	174	●	LW/2	●

H. Lever extension

Z Indent distance

● Required

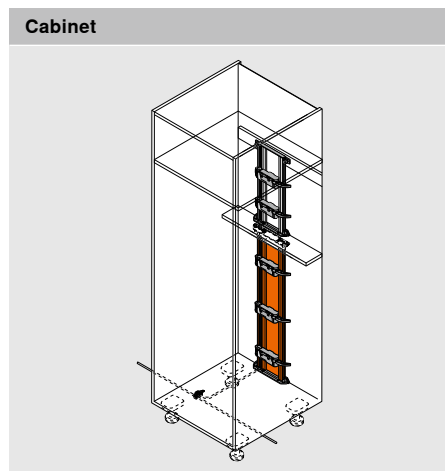
LW Internal cabinet width

– Not possible

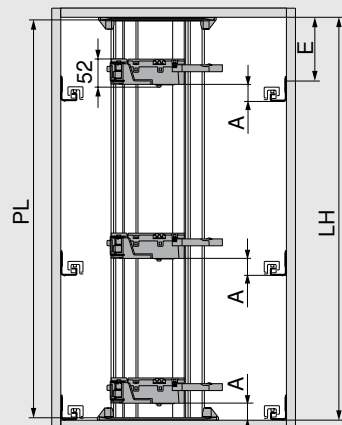
✘ Remove

## SPACE TOWER – bottom bracket profile

### Planning



#### Position of drive unit



$$PL = LH - 10 \text{ mm}$$

Round down to the nearest tenth

LH Internal cabinet height

PL Bracket profile length

A Distance between bottom edge of cabinet profile and bottom edge of drive unit

E Minimum distance between the bottom edge of the cabinet top panel and the fixing position of the cabinet profile

#### Drive unit position

Back height	Internal cabinet width LW (mm)							
	242–266		267–286		287–316		≥ 317	
	A (mm)	E min. (mm)	A (mm)	E min. (mm)	A (mm)	E min. (mm)	A (mm)	E min. (mm)
N	–	–	28	32	28	32	28	32
M   K   E	–	–	45	54	45	54	45	54

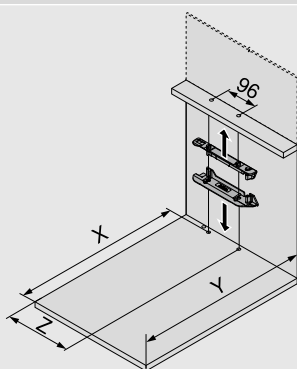
A Distance between bottom edge of cabinet profile and bottom edge of drive unit

E Minimum distance between the bottom edge of the cabinet top panel and the fixing position of the cabinet profile

– Not possible

#### Drilling distances

##### Cabinet base | Cross member



X (mm) NL + 19

Y (mm) NL + 33

NL Nominal length

X Drilling position

Y Min. space requirement

Z Indent distance

This bracket profile assembly position ensures that both inset pull-outs and pull-outs with overlay fronts can be opened by pushing or pulling. For this application, the following general dimensions apply:

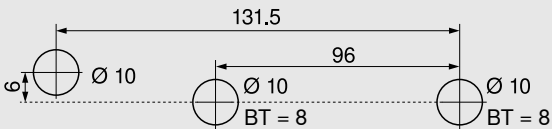
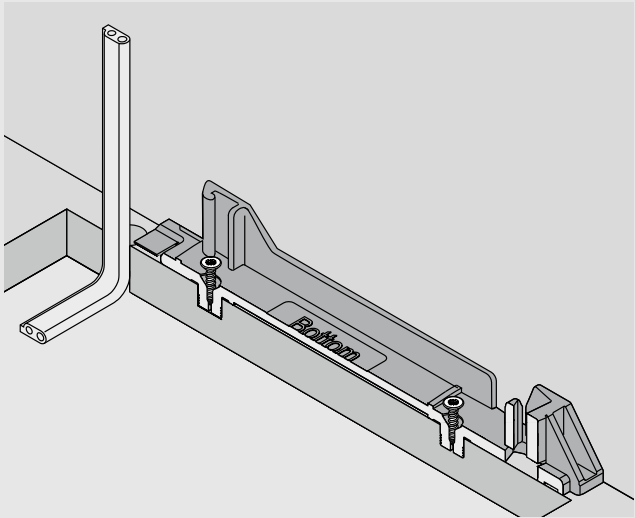
Back height	Internal cabinet width LW (mm)									
	242–266		267–286		287–316		317–386		≥ 387	
	Z (mm)	H.	Z (mm)	H.	Z (mm)	H.	Z (mm)	H.	Z (mm)	H.
N	–	–	174	✘	174	●	174	●	LW/2	●
M   K   E	–	–	174	✘	174	●	174	●	LW/2	●
H. Lever extension						LW Internal cabinet width				
Z Indent distance						– Not possible				
● Required						✘ Remove				

SPACE TOWER – bottom/top bracket profile

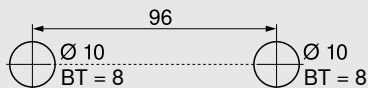
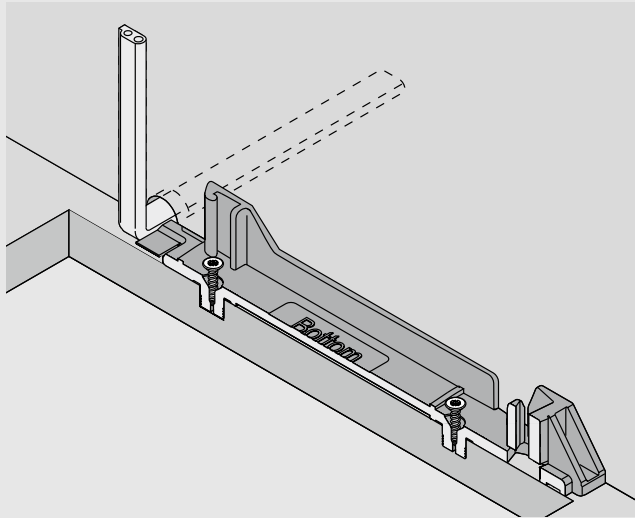
Planning

Cabinet base – drilling pattern

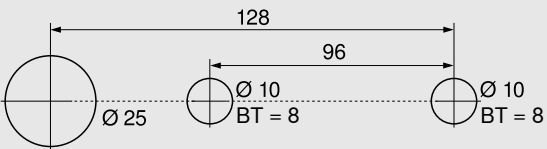
Lower cabling



Back cabling



Alternative drilling pattern for MINIPRESS top and MINIPRESS



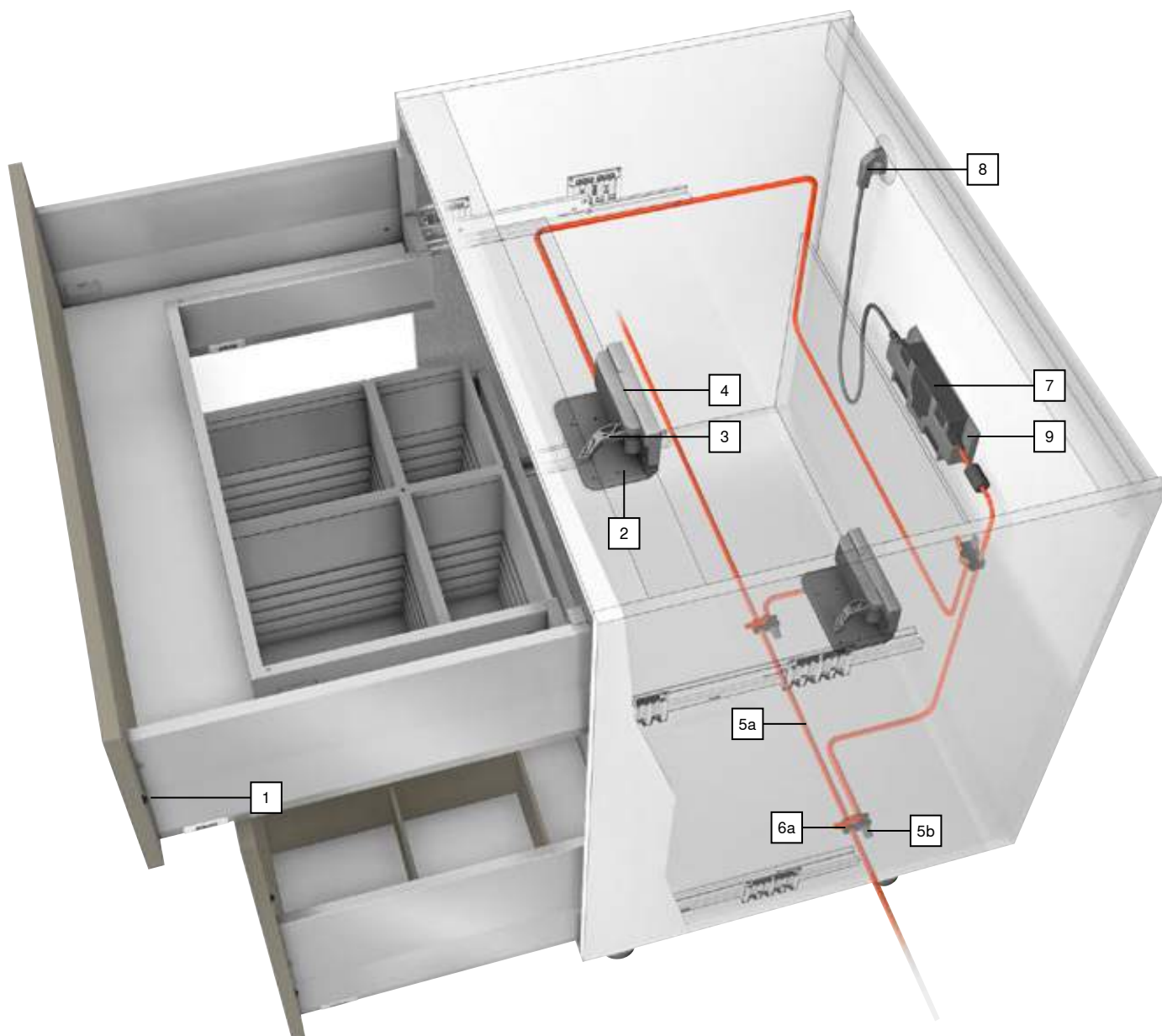
BT Drilling depth

Front assembly

Blum distance bumper

See page

Sink cabinet



## Sink cabinet

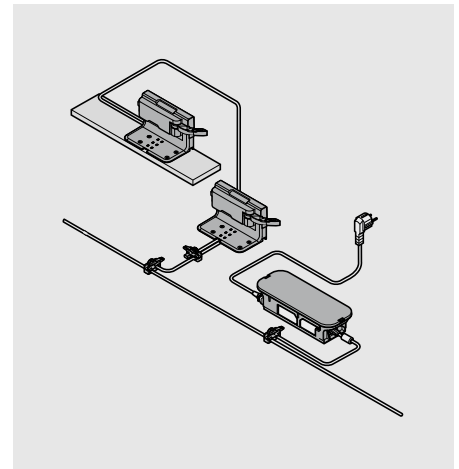
### Product



### Description

- Electrical opening support system in combination with BLUMOTION for soft and effortless closing
- With attachment bracket
- No fixed connection between the drive unit and pull-out
- Pull-outs need not be modified
- Quick assembly of pre-mounted parts

### Cabling



### Ordering information

	<b>1 Blum distance bumper</b>		
	<b>Ø (mm)</b>		
	5		993.0530
	8		993.0830.01
Up to front height 300 mm, use 2 pcs			
From front height 300 mm, use 4 pcs			
For 70 kg MERIVOBX cabinet profile, use 4 pcs			
	<b>2 Attachment bracket 1 tier</b>		
	<b>Colour</b>	<b>Material</b>	
	R7037	Nylon	Z10D0311
	<b>3 Drive unit</b>		
	<b>Colour</b>	<b>Material</b>	
	R7037	Nylon	Z10A3000.03
Includes pre-assembled lever extension			
	<b>4 Drip protection feature</b>		
	<b>Colour</b>	<b>Material</b>	
	R7037	Nylon	Z10D0316
	<b>5 SERVO-DRIVE distribution cable and cable end protector</b>		
	<b>Colour</b>	<b>Length (m)</b>	
	S	8	Z10K800AE
<b>Consisting of:</b>			
<b>5a</b>	1 x	SERVO-DRIVE distribution cable	
<b>5b</b>	5 x	Cable end protector	
Can be used as a distribution, bracket profile and communications cable			
For cutting to size			

	<b>6 Connecting node and cable end protector</b>			
	<b>Colour</b>	<b>Material</b>		
	S	Nylon	Z10V100E.01	
<b>Consisting of:</b>				
<b>6a</b>	1 x	Connecting node		
<b>5b</b>	2 x	Cable end protector		
	<b>7 24-watt SERVO-DRIVE power supply unit</b>			
	<b>A</b>	Z10NE030A	<b>F</b>	Z10NE030F
	<b>B</b>	Z10NE030B	<b>G</b>	Z10NE030G
	<b>C</b>	Z10NE030C	<b>H</b>	Z10NE030H
	<b>D</b>	Z10NE030D	<b>J</b>	Z10NE030J
	<b>E</b>	Z10NE030E		
Includes operating and installation instructions				
Without flex				
<b>Language package</b>				
<b>A</b>	DE, EN, FR, IT, NL	<b>F</b>	BG, ET, LT, LV, RO, RU	
<b>B</b>	DA, EN, FI, NO, SV	<b>G</b>	EN, ES, FR	
<b>C</b>	EL, EN, HR, SL, SR, TR	<b>H</b>	EN, ZH	
<b>D</b>	EN, ES, FR, IT, PT	<b>J</b>	JA	
<b>E</b>	CS, HU, PL, SK			
Language descriptions as per ISO-639				
<b>Colour</b>				
R7037	RAL 7037 dust grey			
S	Black			

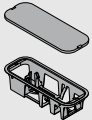
## Sink cabinet

### Ordering information

8	Flex			
	Market		Market	
	AR	Z10M200A	JP	Z10M200J
	UK	Z10M200B	AU	Z10M200K
	CH	Z10M200C	CL	Z10M200L
	DK	Z10M200D	CN	Z10M200N
	Europe	Z10M200E	BR	Z10M200S.01
	Europe <sup>1</sup>	Z10M200E.OS	TW	Z10M200T
	IN	Z10M200H	US, CA	Z10M200U
	IL	Z10M200I	ZA	Z10M200Z

Length 2 m, incl. plug

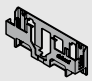
<sup>1</sup> Without plug

-	Power supply unit housing		
	Base mounting		
	Colour	Material	
	R7037	Nylon	Z10NG000

Includes cover

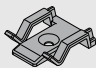
For 24-watt SERVO-DRIVE power supply unit

### Alternative


9	Power supply unit housing		
	Panel fixing		
	Colour	Material	
	WGR	Nylon	Z10NG120

For 24-watt SERVO-DRIVE power supply unit

### Accessories

-	Cable holder		
	Colour	Material	
	W	Nylon	Z10K0009

E.g. for fixing the SERVO-DRIVE distribution cable

-	Front/base stabiliser		
	Colour	Material	
	R7037	Nylon	Z96.10E1

### Colour

R7037 RAL 7037 dust grey

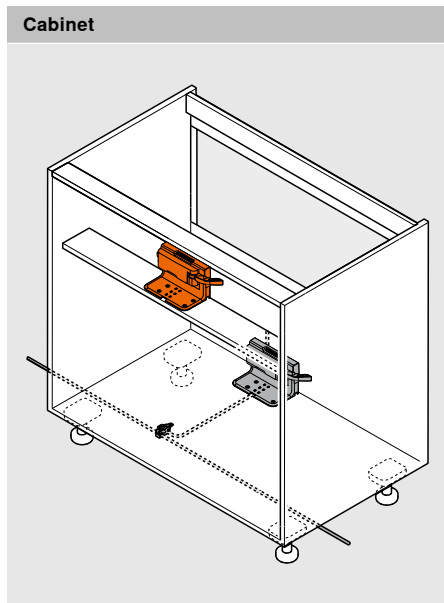
W White

WGR White grey



Sink cabinet – cross member – attachment bracket 1 tier

Planning



**Position of drive unit**

X Drilling position  
 A Distance between bottom edge of attachment bracket and bottom edge of drive unit  
 \* Measured from cabinet front edge

Drawer back	Back height	A (mm)
Centre piece	N	28
	M   K   E	45

**Recommendation**

W Distance between front edge of drawer base and centre piece

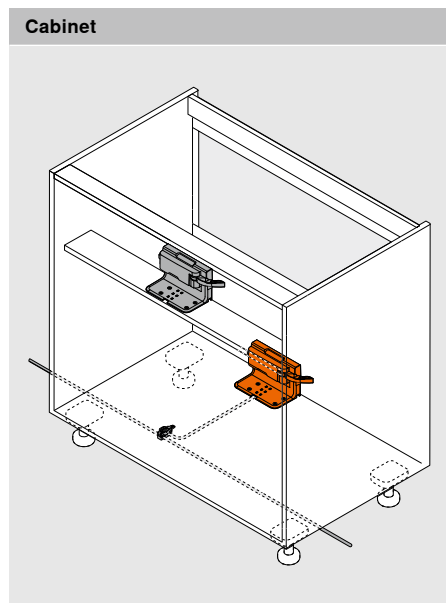
For effective use of storage space, we recommend:  
 NL of outer drawer sides - NL of inner drawer sides = min. 150 mm

**Drilling distances**

**Cross member**

Drawer back	Back height	Internal cabinet width LW (mm)	
		≥ 387	
Centre piece	N   M   K   E	External nominal length NL (mm)	
		450–600	
		X (mm)	Z (mm)
		W + 27	LW / 2

BT Drilling depth  
 X Drilling position  
 Z Indent distance

**Sink cabinet – cabinet base – attachment bracket 1 tier**
**Planning**


**Position of drive unit**

X	Drilling position
A	Distance between bottom edge of attachment bracket and bottom edge of drive unit
*	Measured from cabinet front edge

<b>Back height</b>	<b>LW (mm)</b>
	≥ 387
N	<b>A (mm)</b>
M   K   E	28
LW Internal cabinet width	45

**Drilling distances**

**Cabinet bottom panel**

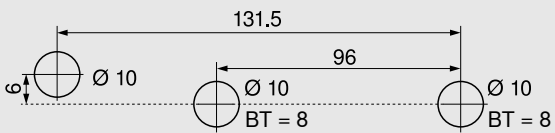
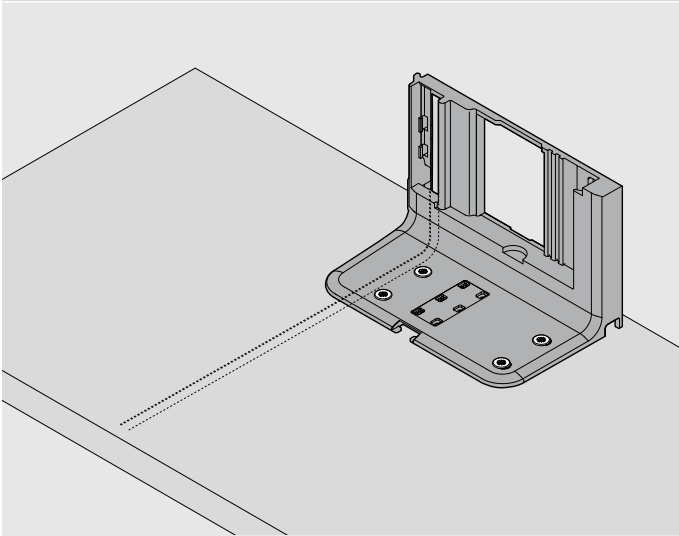
		<b>Cabinet profile with over extension</b>
<b>X (mm)</b>	NL + 19	NL - 31
<b>Y (mm)</b>	NL + 35	NL + 3
<b>Z (mm)</b>	LW / 2	LW / 2
LW	Internal cabinet width	
NL	Nominal length	
X	Drilling position	
Y	Min. space requirement	
Z	Indent distance	

Sink cabinet – cabinet base – attachment bracket 1 tier

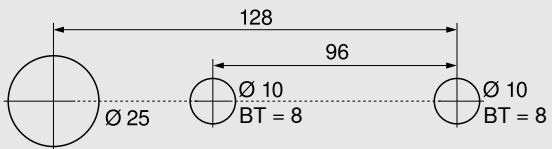
Planning

Cabinet base – drilling pattern

Lower cabling



Alternative drilling pattern for MINIPRESS top and MINIPRESS



BT Drilling depth

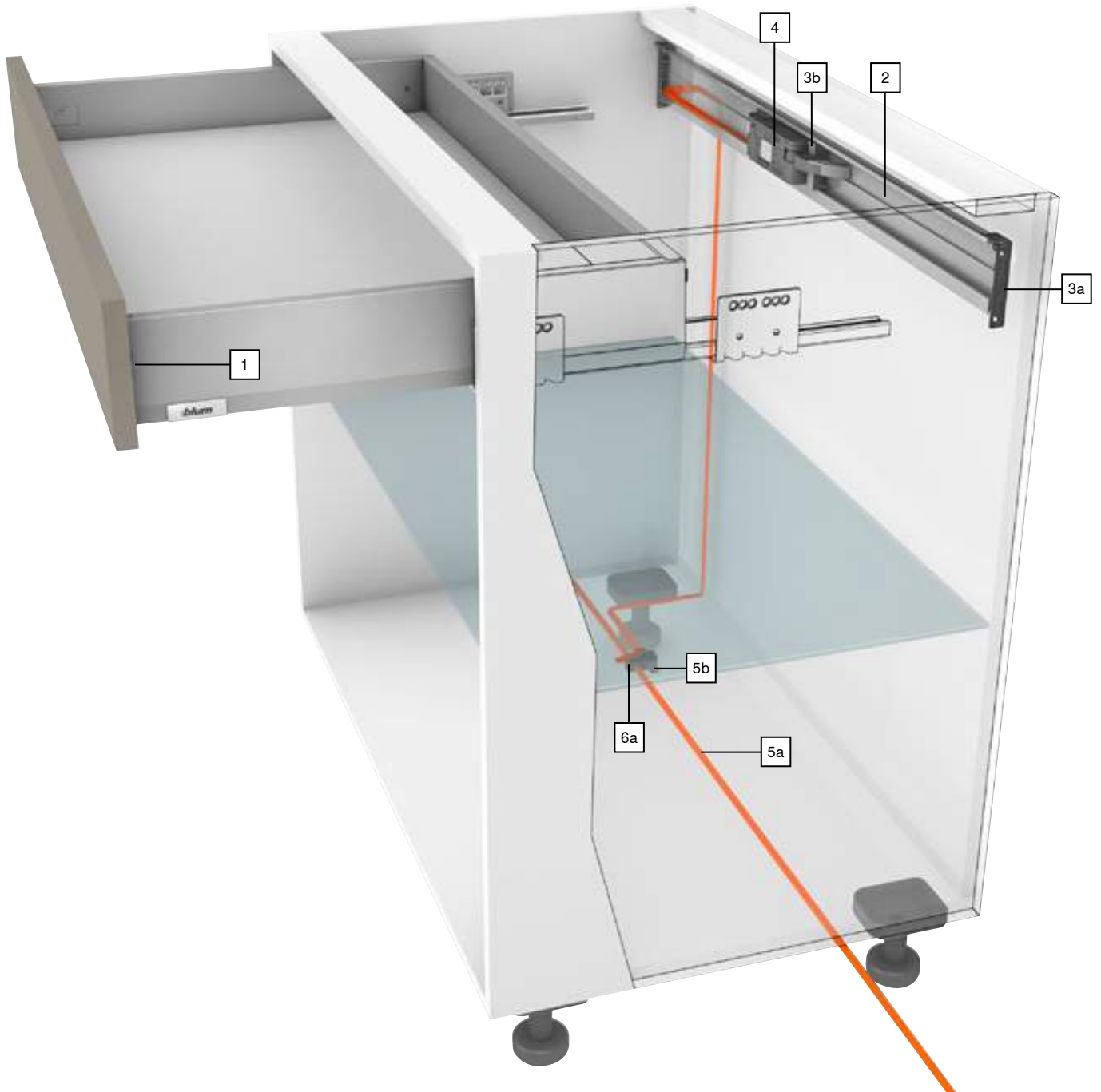
Front assembly

Blum distance bumper

See page

95

Cabinet with single pull-out – horizontal bracket profile



## Cabinet with single pull-out – horizontal bracket profile

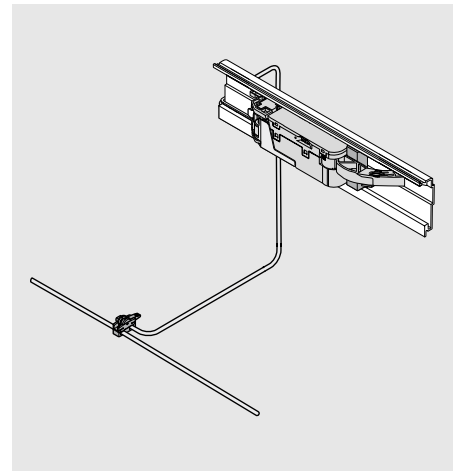
### Product



### Description

- Electrical opening support system in combination with BLUMOTION for soft and effortless closing
- With horizontal bracket profile
- No fixed connection between the drive unit and pull-out
- Pull-outs need not be modified
- Quick assembly of pre-mounted parts

### Cabling



### Ordering information

	<b>1 Blum distance bumper</b>		
	<b>Ø (mm)</b>		
	5		993.0530
	8		993.0830.01
Up to front height 300 mm, use 2 pcs			
From front height 300 mm, use 4 pcs			
For 70 kg MERIVOBX cabinet profile, use 4 pcs			
	<b>2 Horizontal bracket profile</b>		
	<b>Length (mm)</b>		
	1143		Z10T1143B
For cabinet width KB 275–1200 mm			
Aluminium for cutting to size			
<b>Cutting</b>	Internal cabinet width LW - 19 mm		
	<b>3 Horizontal bracket profile attachment</b>		
	<b>Colour</b>	<b>Material</b>	
	R7037	Nylon	Z10D5210
<b>Consisting of:</b>			
<b>3a</b>	1 x	Bracket profile attachment left/right	
<b>3b</b>	1 x	Bracket profile adapter for drive unit	
Chipboard screws and system screws can be used			
	<b>4 Drive unit</b>		
	<b>Colour</b>	<b>Material</b>	
	R7037	Nylon	Z10A3000.03
Includes pre-assembled lever extension			

	<b>5 SERVO-DRIVE distribution cable and cable end protector</b>		
	<b>Colour</b>	<b>Length (m)</b>	
	S	8	Z10K800AE
<b>Consisting of:</b>			
<b>5a</b>	1 x	SERVO-DRIVE distribution cable	
<b>5b</b>	5 x	Cable end protector	
Can be used as a distribution, bracket profile and communications cable			
For cutting to size			
	<b>6 Connecting node and cable end protector</b>		
	<b>Colour</b>	<b>Material</b>	
	S	Nylon	Z10V100E.01
<b>Consisting of:</b>			
<b>6a</b>	1 x	Connecting node	
<b>5b</b>	2 x	Cable end protector	
<b>Colour</b>			
R7037	RAL 7037 dust grey		
S	Black		

## Cabinet with single pull-out – horizontal bracket profile

### Ordering information

24-watt SERVO-DRIVE power supply unit				
	<b>A</b>	<b>Z10NE030A</b>	<b>F</b>	<b>Z10NE030F</b>
	<b>B</b>	<b>Z10NE030B</b>	<b>G</b>	<b>Z10NE030G</b>
	<b>C</b>	<b>Z10NE030C</b>	<b>H</b>	<b>Z10NE030H</b>
	<b>D</b>	<b>Z10NE030D</b>	<b>J</b>	<b>Z10NE030J</b>
	<b>E</b>	<b>Z10NE030E</b>		

Includes operating and installation instructions

Without flex

#### Language package

<b>A</b>	DE, EN, FR, IT, NL	<b>F</b>	BG, ET, LT, LV, RO, RU
<b>B</b>	DA, EN, FI, NO, SV	<b>G</b>	EN, ES, FR
<b>C</b>	EL, EN, HR, SL, SR, TR	<b>H</b>	EN, ZH
<b>D</b>	EN, ES, FR, IT, PT	<b>J</b>	JA
<b>E</b>	CS, HU, PL, SK		

Language descriptions as per ISO-639

Flex				
	<b>Market</b>		<b>Market</b>	
	AR	<b>Z10M200A</b>	JP	<b>Z10M200J</b>
	UK	<b>Z10M200B</b>	AU	<b>Z10M200K</b>
	CH	<b>Z10M200C</b>	CL	<b>Z10M200L</b>
	DK	<b>Z10M200D</b>	CN	<b>Z10M200N</b>
	Europe	<b>Z10M200E</b>	BR	<b>Z10M200S.01</b>
	Europe <sup>1</sup>	<b>Z10M200E.OS</b>	TW	<b>Z10M200T</b>
	IN	<b>Z10M200H</b>	US, CA	<b>Z10M200U</b>
	IL	<b>Z10M200I</b>	ZA	<b>Z10M200Z</b>

Length 2 m, incl. plug

<sup>1</sup> Without plug

Power supply unit housing			
	Base mounting		
	<b>Colour</b>	<b>Material</b>	
	R7037	Nylon	<b>Z10NG000</b>

Includes cover

For 24-watt SERVO-DRIVE power supply unit

#### Alternative

Power supply unit housing			
	Panel fixing		
	<b>Colour</b>	<b>Material</b>	
	WGR	Nylon	<b>Z10NG120</b>

For 24-watt SERVO-DRIVE power supply unit

#### Accessories

Cable holder			
	<b>Colour</b>	<b>Material</b>	
	W	Nylon	<b>Z10K0009</b>

E.g. for fixing the SERVO-DRIVE distribution cable

Front/base stabiliser			
	<b>Colour</b>	<b>Material</b>	
	R7037	Nylon	<b>Z96.10E1</b>

COMBOX set			
	<b>Colour</b>	<b>Material</b>	
	S	Nylon	<b>Z10ZC00A</b>

Prevents front collisions when using SERVO-DRIVE in corner applications

Compatible with drive units Z10A3000.02 onwards

Can be used in combination with Z10K300A

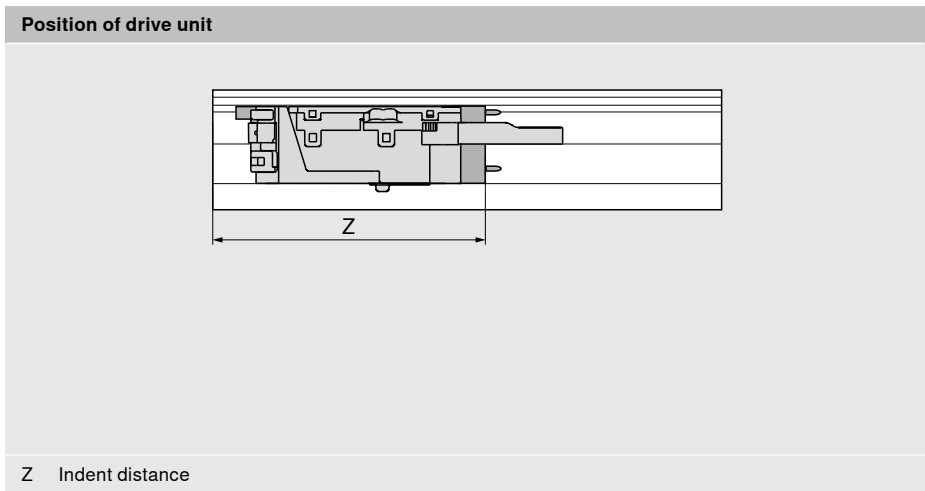
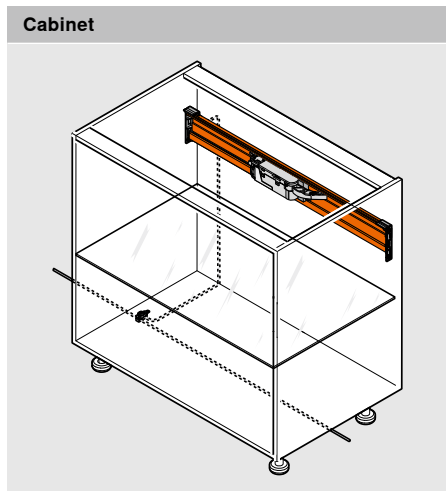
Includes all assembly and cabling components

#### Colour

R7037	RAL 7037 dust grey
S	Black
W	White
WGR	White grey

Cabinet with single pull-out – horizontal bracket profile

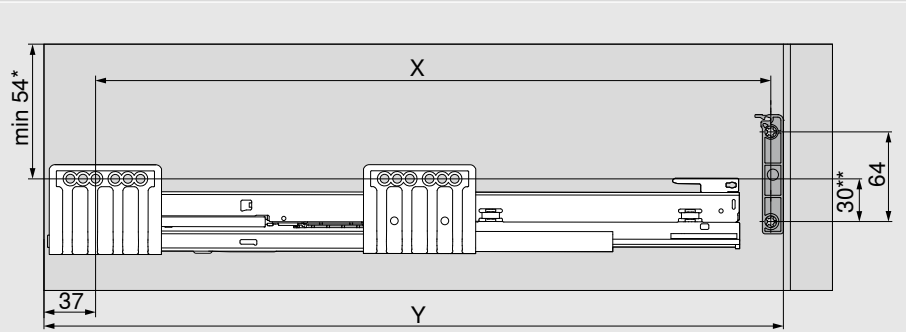
Planning



Z Indent distance

Drilling distances

Cabinet base | Cross member



X (mm)	NL - 9
Y (mm)	NL + 37
NL Nominal length	
X Drilling position	
Y Min. space requirement	

This bracket profile assembly position ensures that both inset pull-outs and pull-outs with overlay fronts can be opened by pushing or pulling. For this application, the following general dimensions apply:

\* Back height

N	32 mm
---	-------

\*\* Back height

N	45 mm
---	-------

Back height	Internal cabinet width LW (mm)									
	242–266		267–286		287–316		317–386		≥ 387	
	Z (mm)	H.	Z (mm)	H.	Z (mm)	H.	Z (mm)	H.	Z (mm)	H.
N	–	–	177	×	177	●	177	●	LW/2	●
M   K   E	–	–	177	×	177	●	177	●	LW/2	●

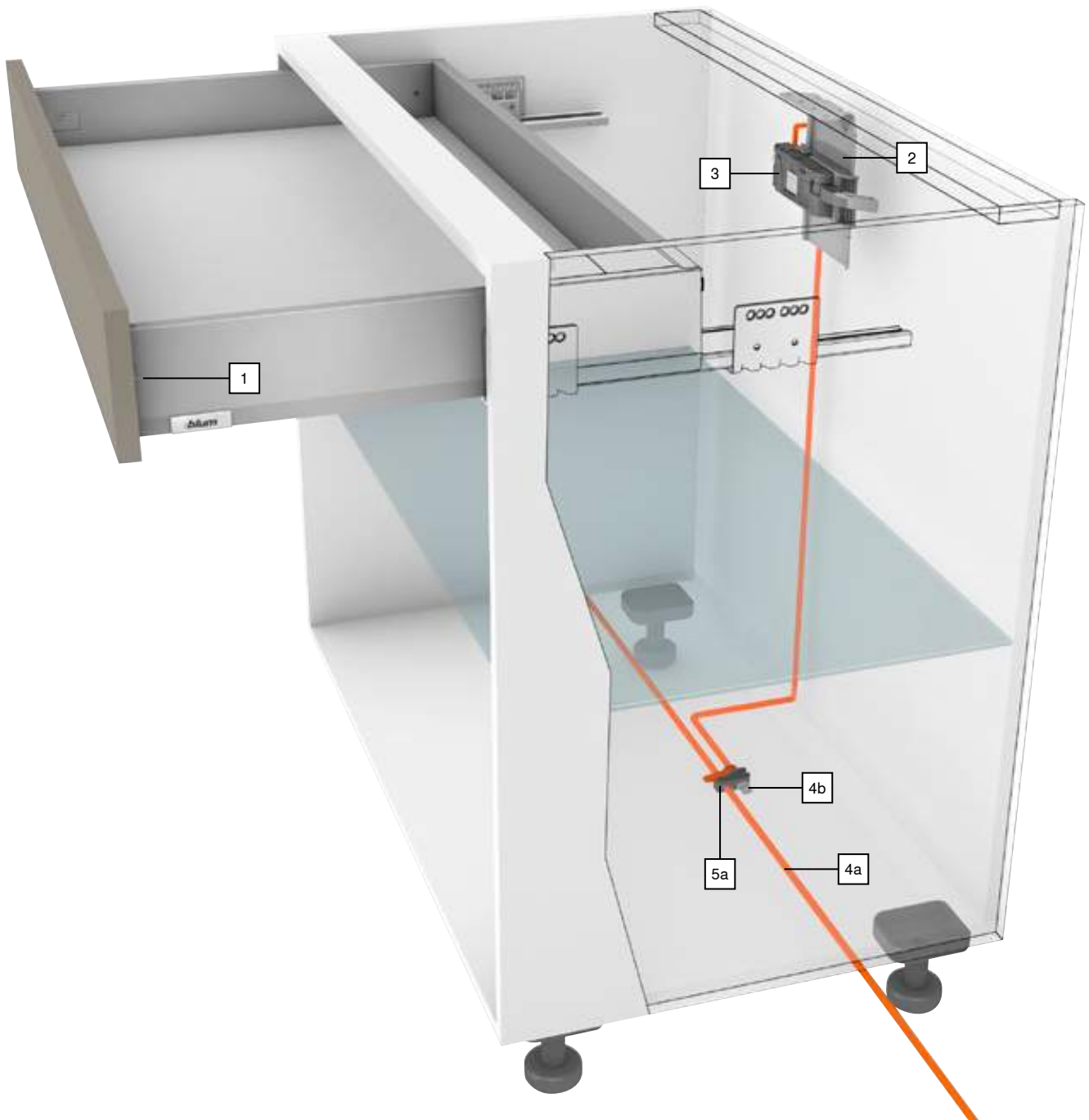
H. Lever extension	LW Internal cabinet width
Z Indent distance	– Not possible
● Required	×

Front assembly

Blum distance bumper

See page

Cabinet with single pull-out – upper attachment bracket





## Cabinet with single pull-out – upper attachment bracket

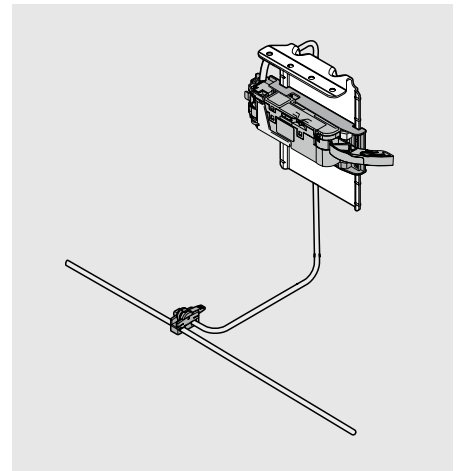
### Product



### Description

- Electrical opening support system in combination with BLUMOTION for soft and effortless closing
- With upper attachment bracket
- No fixed connection between the drive unit and pull-out
- Pull-outs need not be modified
- Quick assembly of pre-mounted parts

### Cabling



### Ordering information

	1 Blum distance bumper		
	Ø (mm)		
	5		993.0530
	8		993.0830.01
Up to front height 300 mm, use 2 pcs			
From front height 300 mm, use 4 pcs			
For 70 kg MERIVOBX cabinet profile, use 4 pcs			
	2 Upper attachment bracket		
	Colour	Material	
	R7037/ZN	Steel	Z10D6252
Includes pre-mounted adapter for drive unit			
	3 Drive unit		
	Colour	Material	
	R7037	Nylon	Z10A3000.03
Includes pre-assembled lever extension			

	4 SERVO-DRIVE distribution cable and cable end protector		
	Colour	Length (m)	
	S	8	Z10K800AE
<b>Consisting of:</b>			
4a	1 x	SERVO-DRIVE distribution cable	
4b	5 x	Cable end protector	
Can be used as a distribution, bracket profile and communications cable			
For cutting to size			
	5 Connecting node and cable end protector		
	Colour	Material	
	S	Nylon	Z10V100E.01
<b>Consisting of:</b>			
5a	1 x	Connecting node	
4b	2 x	Cable end protector	
<b>Colour</b>			
R7037	RAL 7037 dust grey		
S	Black		
ZN	Zinc plated		

## Cabinet with single pull-out – upper attachment bracket

### Ordering information

24-watt SERVO-DRIVE power supply unit				
	<b>A</b>	<b>Z10NE030A</b>	<b>F</b>	<b>Z10NE030F</b>
	<b>B</b>	<b>Z10NE030B</b>	<b>G</b>	<b>Z10NE030G</b>
	<b>C</b>	<b>Z10NE030C</b>	<b>H</b>	<b>Z10NE030H</b>
	<b>D</b>	<b>Z10NE030D</b>	<b>J</b>	<b>Z10NE030J</b>
	<b>E</b>	<b>Z10NE030E</b>		

Includes operating and installation instructions

Without flex

#### Language package

<b>A</b>	DE, EN, FR, IT, NL	<b>F</b>	BG, ET, LT, LV, RO, RU
<b>B</b>	DA, EN, FI, NO, SV	<b>G</b>	EN, ES, FR
<b>C</b>	EL, EN, HR, SL, SR, TR	<b>H</b>	EN, ZH
<b>D</b>	EN, ES, FR, IT, PT	<b>J</b>	JA
<b>E</b>	CS, HU, PL, SK		

Language descriptions as per ISO-639

Flex				
	<b>Market</b>		<b>Market</b>	
	AR	<b>Z10M200A</b>	JP	<b>Z10M200J</b>
	UK	<b>Z10M200B</b>	AU	<b>Z10M200K</b>
	CH	<b>Z10M200C</b>	CL	<b>Z10M200L</b>
	DK	<b>Z10M200D</b>	CN	<b>Z10M200N</b>
	Europe	<b>Z10M200E</b>	BR	<b>Z10M200S.01</b>
	Europe <sup>1</sup>	<b>Z10M200E.OS</b>	TW	<b>Z10M200T</b>
	IN	<b>Z10M200H</b>	US, CA	<b>Z10M200U</b>
	IL	<b>Z10M200I</b>	ZA	<b>Z10M200Z</b>

Length 2 m, incl. plug

<sup>1</sup> Without plug

Power supply unit housing			
	Base mounting		
	<b>Colour</b>	<b>Material</b>	
	R7037	Nylon	<b>Z10NG000</b>

Includes cover

For 24-watt SERVO-DRIVE power supply unit

#### Alternative

Power supply unit housing			
	Panel fixing		
	<b>Colour</b>	<b>Material</b>	
	WGR	Nylon	<b>Z10NG120</b>

For 24-watt SERVO-DRIVE power supply unit

#### Accessories

Cable holder			
	<b>Colour</b>	<b>Material</b>	
	W	Nylon	<b>Z10K0009</b>

E.g. for fixing the SERVO-DRIVE distribution cable

Front/base stabiliser			
	<b>Colour</b>	<b>Material</b>	
	R7037	Nylon	<b>Z96.10E1</b>

COMBOX set			
	<b>Colour</b>	<b>Material</b>	
	S	Nylon	<b>Z10ZC00A</b>

Prevents front collisions when using SERVO-DRIVE in corner applications

Compatible with drive units Z10A3000.02 onwards

Can be used in combination with Z10K300A

Includes all assembly and cabling components

#### Colour

R7037	RAL 7037 dust grey
S	Black
W	White
WGR	White grey

**Cabinet with single pull-out – upper attachment bracket**

**Planning**

Cabinet	Position of drive unit
	<p>X Drilling position</p> <p>A Distance between bottom edge of cabinet profile and bottom edge of drive unit</p> <p>E Minimum distance between the bottom edge of the cabinet top panel and the fixing position of the cabinet profile</p> <p>The cross member must be connected to the worktop area for increased stability</p>

Drive unit position	Internal cabinet width LW (mm)											
	242–266			267–286			287–316			≥ 317		
	A (mm)	E min. (mm)	E max. (mm)	A (mm)	E min. (mm)	E max. (mm)	A (mm)	E min. (mm)	E max. (mm)	A (mm)	E min. (mm)	E max. (mm)
<b>Back height</b>												
N	–	–	–	28	50	139	28	50	139	28	50	139
M   K   E	–	–	–	45	67	157	45	67	157	45	67	157
A Distance between bottom edge of cabinet profile and bottom edge of drive unit												
E Minimum distance between the bottom edge of the cabinet top panel and the fixing position of the cabinet profile												
– Not possible												

Drilling distances	
Cross member	
	<p>X (mm) NL - 1</p> <p>Y (mm) NL + 34</p> <p>NL Nominal length</p> <p>X Drilling position</p> <p>Y Min. space requirement</p> <p>Z Indent distance</p> <p>This bracket profile assembly position ensures that both inset pull-outs and pull-outs with overlay fronts can be opened by pushing or pulling. For this application, the following general dimensions apply:</p>

Back height	Internal cabinet width LW (mm)									
	242–266		267–286		287–316		317–386		≥ 387	
	Z (mm)	H.	Z (mm)	H.	Z (mm)	H.	Z (mm)	H.	Z (mm)	H.
N	–	–	174	✗	174	●	174	●	LW/2	●
M   K   E	–	–	174	✗	174	●	174	●	LW/2	●
H. Lever extension				LW Internal cabinet width						
Z Indent distance				– Not possible						
● Required				✗ Remove						

Front assembly	
Blum distance bumper	
See page	95

### Bottom mount waste bin solution



## Bottom mount waste bin solution

### Product



### Description

- Electrical opening support system in combination with BLUMOTION for soft and effortless closing
- Suitable for individual applications
- For bottom mount waste bin solutions
- Also ideal for retrofitting
- No fixed connection between the drive unit and pull-out
- Pull-outs need not be modified
- Simple and quick assembly of pre-mounted parts

### Space requirement

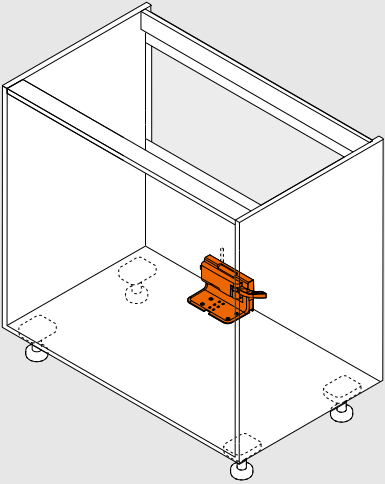
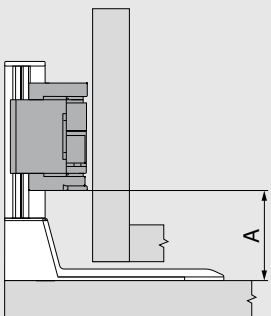


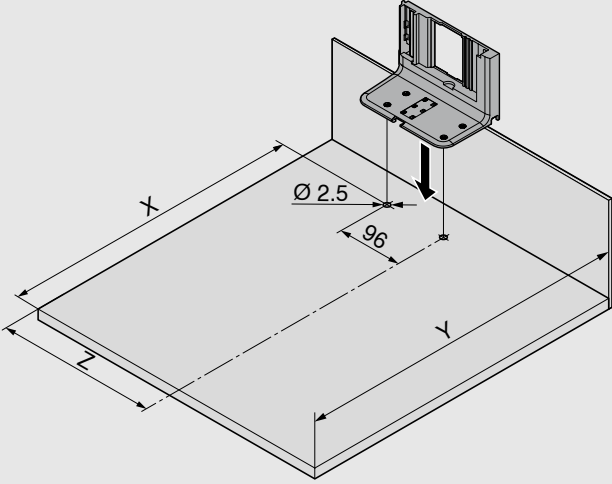
### Ordering information

SERVO-DRIVE uno set									
	Power adapter	Language package		Power adapter	Language package				
	E	A	Z10NA30EA	B	A	Z10NA30BA			
	E	B	Z10NA30EB	K	D	Z10NA30KD			
	E	C	Z10NA30EC	U	G	Z10NA30UG			
	E	E	Z10NA30ED	U	J	Z10NA30UJ			
	E	E	Z10NA30EE	H	D	Z10NA30HD			
E	F	Z10NA30EF							
Power adapter									
E		B		K		U		H	
See the Information chapter of the Blum catalogue for a detailed market list.									
Language package									
A	DE, EN, FR, IT, NL	B	DA, EN, FI, NO, SV	C	EL, EN, HR, SL, SR, TR	D	EN, ES, FR, IT, PT		
E	CS, HU, PL, SK	F	BG, ET, LT, LV, RO, RU	G	EN, ES, FR	J	JA		
☎ Other combinations available upon request									
Pre-mounted set									
Consisting of:									
-	2 x	Blum distance bumper							
1a	1 x	Attachment bracket 1 tier							
1b	1 x	Drive unit							
1c	1 x	Transport protection							
1d	1 x	Drip protection feature							
1e	1 x	12-watt SERVO-DRIVE plug-in power supply unit							
1f	1 x	Assembly device							
-	7 x	Screws for Blum distance bumper and attachment bracket							
-	1 x	Installation instructions							
-	1 x	Operating instructions							

## Bottom mount waste bin solution

### Planning

Cabinet	Position of drive unit			
				
			<b>Internal cabinet width LW (mm)</b>	
			<b>≥ 387</b>	
			<b>A min. (mm)</b>	<b>A max. (mm)</b>
	28	45		
A Distance between bottom edge of cabinet profile and bottom edge of drive unit				

Drilling distances						
Cabinet base						
				<b>Internal cabinet width LW (mm)</b>		
				<b>≥ 387</b>		
				<b>X (mm)</b>	<b>Y (mm)</b>	<b>Z (mm)</b>
				NL - 45	NL + 35	LW / 2
<b>Cabinet profile with over extension</b>						
<b>X (mm)</b>	<b>Y (mm)</b>	<b>Z (mm)</b>				
NL - 95	NL + 3	LW / 2				
NL Nominal length						
X Drilling position						
Y Min. space requirement						
Z Indent distance						

Information about SERVO-DRIVE

Front assembly

**Blum distance bumper**

The Blum distance bumper ensures the required trigger path of 2 mm

When using a 70 kg MERIVOBX cabinet profile, install 4 Blum distance bumpers

For optimal triggering with front heights FH > 300 mm Use front/base stabiliser

FA	Front overlay
FH	Front height

Drive unit

**Lever extension**

Space requirement and safety distance for power supply unit housing

**Base fixing**

**Panel fixing**

Attention



Maintain a 30 mm safety distance from the bottom edge (base fixing) and/or front edge (panel fixing) and side edges of the power supply unit housing to the neighbouring elements! Air must be able to circulate, otherwise the SERVO-DRIVE power supply unit could overheat!

Assembly, adjustment and removal



[www.blum.com/servodrive1](http://www.blum.com/servodrive1)

## Product



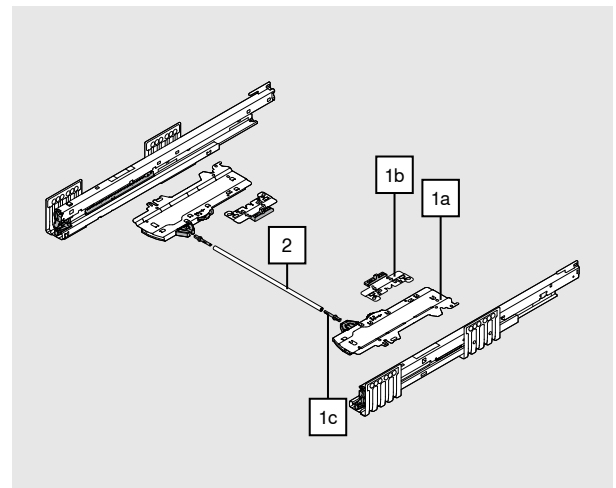
## Description

- TIP-ON mechanical opening support system combined with BLUMOTION for soft and effortless closing
- Small minimum front gap of just 2.5 mm
- Extensive trigger range
- Optional synchronisation from internal cabinet width LW 243 mm – we generally recommend synchronisation in all cases
- 4-dimensional front adjustment option

## Ordering information

1 TIP-ON BLUMOTION set					
The TIP-ON BLUMOTION unit is available in varying strengths to suit different weight ranges and nominal lengths. Each version has a different colour to make them easy to distinguish. The latch can be universally used for all TIP-ON BLUMOTION units.					
NL (mm)	Unit		Cabinet profile (kg)	Weight (kg)	
270–300	S0	White	40	≤ 10	T60H4040
270–300	S1	Light grey	40	> 10–20	T60H4140
350–600	L1	Light grey	40	≤ 20	T60H4340
350–600	L3	Dust grey	40	15–40	T60H4540
450–600	L5	Black	70	35–70	T60H4570
<b>Consisting of:</b>					
1a	1 x	TIP-ON BLUMOTION unit left/right			
1b	1 x	TIP-ON BLUMOTION latch symmetrical			
1c	2 x	TIP-ON BLUMOTION synchronisation adapter			
Internal cabinet width LW ≥ 297 mm					
<sup>1</sup>	Recommended weight ranges (total weight of the pull-out) for an optimum opening and closing function				
<sup>2</sup>	Can only be combined with a 40 kg cabinet profile				
<sup>3</sup>	Recommendation: Only use in combination with a 70 kg cabinet profile				
Make the right calculations for your TIP-ON BLUMOTION unit using the Product Configurator: <a href="http://www.blum.com/configurator">www.blum.com/configurator</a>					

Internal cabinet width LW ≥ 297 mm			
2 TIP-ON BLUMOTION synchronisation linkage			
	Version	Colour	
	Round	Grey	
<b>T60.1125W</b>			
In combination with 1c 2 x T60.000D			
Suitable up to internal cabinet width LW 1370 mm			
<b>Note</b>			
To optimise the function and increase the trigger range, we generally recommend using synchronisation.			
<b>Cutting</b>	Internal cabinet width LW - 250 mm		



### Internal cabinet width LW 243-296 mm

#### TIP-ON BLUMOTION synchronisation

	Version	Colour
	Square	RAL 7035 light grey
<b>T60.300D</b>		
<b>Cutting</b>	Internal cabinet width LW - 224 mm	

#### Accessories

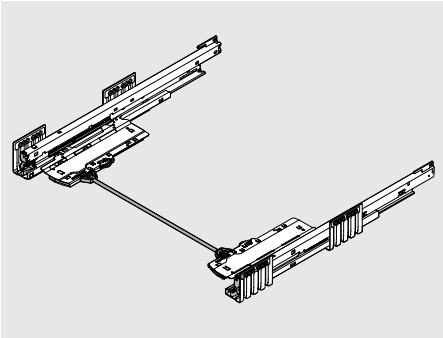
##### Internal cabinet width LW ≥ 297 mm

1c TIP-ON BLUMOTION synchronisation adapter		
	Version	Colour
	Symmetrical	RAL 7035 light grey
<b>T60.000D</b>		
Order 2x		

##### TIP-ON BLUMOTION checking/setting template

	Front gap FS (mm)	Colour
	2.5	Orange
<b>65.5627</b>		





- TIP-ON BLUMOTION for MERIVOBOX uses the same standard installation dimensions as MERIVOBOX
- The following diagrams show a drawer with height M

**Furniture construction**

Precise manufacturing is required to ensure a front gap of at least 2.5 mm. This means that the construction must adhere to the dimensions and angles planned.

**Plinth leg**

**Front assembly**

Bumpers must not be installed for TIP-ON BLUMOTION!

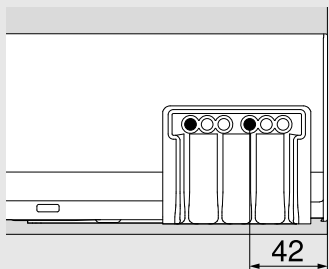
**Space requirements in the cabinet**

Drawer/high fronted pull-out	Inner drawer/inner pull-out

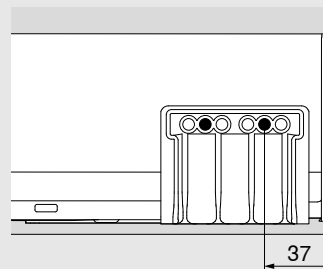
\* + 1 mm if cabinet profiles are installed before cabinet is assembled  
 \*\* Incl. 2 mm tilt adjustment  
 Latch (Z17.0M06) and latch housing (ZIF.7002) cannot be used in combination with TIP-ON BLUMOTION  
 NL Nominal length

## Planning

### Screw position – inner drawer | inner pull-out

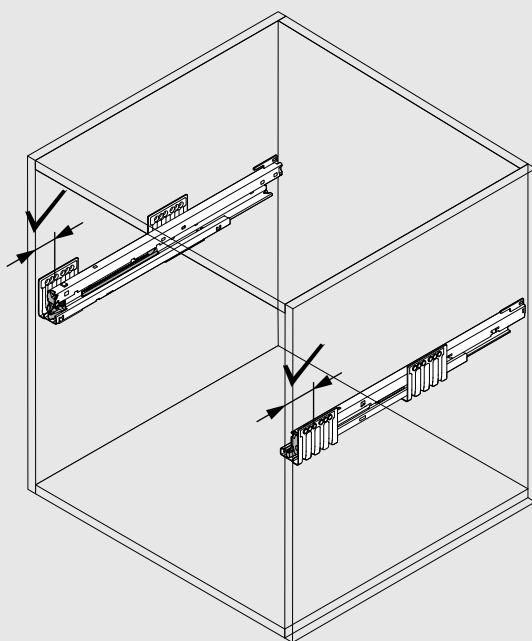


Variant 1



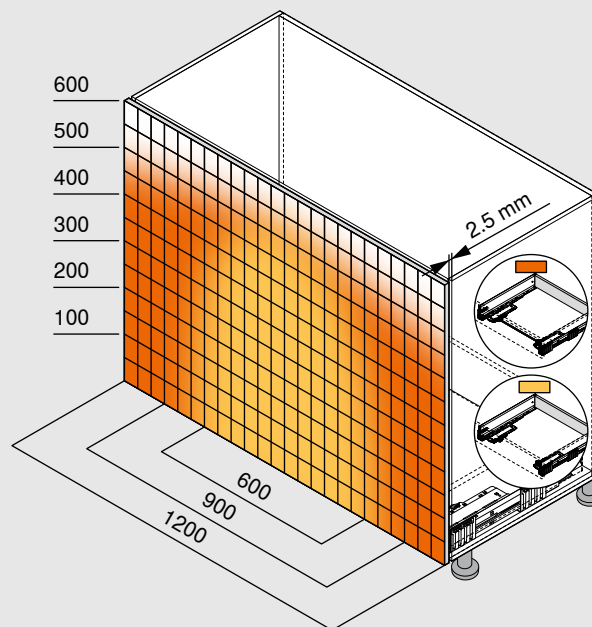
Variant 2

### Depth position



Ensure that both cabinet profiles are positioned at the correct depth.

### Trigger range



#### Trigger range

- With synchronisation
- Without synchronisation

<b>Minimum front gap (mm)</b>	2.5
-------------------------------	-----

To optimise the function and increase the trigger range, we generally recommend using synchronisation.

Example of height E, nominal length NL 500 mm

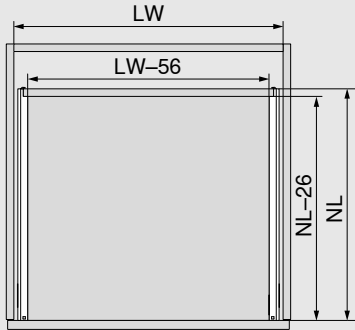
## Assembly, adjustment and removal



[www.blum.com/tobmvx](http://www.blum.com/tobmvx)

### Cutting dimensions

#### Cutting dimensions of cutlery insert/non-slip mat

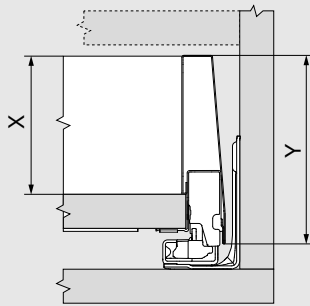


#### Length

Nominal length NL of drawer side - 26 mm

#### Width

Internal cabinet width LW - 56 mm



Height X of inner drawer side	Height Y of outer drawer side
Height N - 44.5 mm	Height N - 68.5 mm
Height M - 67 mm	Height M - 91 mm
Height K - 105 mm	Height K - 129 mm
Height E - 168 mm	Height E - 192 mm

## Material and colour

### Steel design



More information  
on AMBIA-LINE

[www.blum.com/  
ambialine](http://www.blum.com/ambialine)

### Colours



Material and colour

Wood design



More information on AMBIA-LINE

[www.blum.com/ambialine](http://www.blum.com/ambialine)

Colours



\* Available from 2023, until then terra black matt

## Cutlery insert

### Steel design



- Containers with a soft touch coating
- Resistant, noise-reducing surface
- Can be positioned as desired and provides a secure hold
- Suitable for MERIVOBX drawers height M and K
- Can be used for nominal lengths of 450 to 600 mm
- Frame height 50 mm
- Material: Steel, powder-coated

### Ordering information

Cutlery insert					
	Nominal length (mm)	Width (mm)	SW-M / OG-M	IG-M	OG-M
	450	300		ZC7S450BS3	
	500	300		ZC7S500BS3	
	550	300		ZC7S550BS3	
	600	300		ZC7S600BS3	

## Cutlery insert

### Wood design



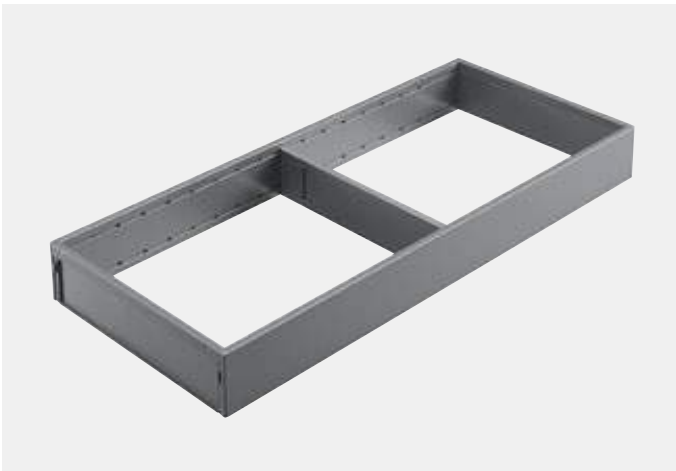
- Can be positioned as desired and provides a secure hold
- Suitable for MERIVOBX drawers height M and K
- Can be used for nominal lengths of 450 to 600 mm
- Frame height 50 mm
- Material: Wood décor/steel

### Ordering information

Cutlery insert					
	Nominal length (mm)	Width (mm)	E01S/SW-M	E02G/OG-M	N01T/CS-M
	450	300	ZC7S450BH3		
	500	300	ZC7S500BH3		
	550	300	ZC7S550BH3		
	600	300	ZC7S600BH3		

## Drawer frame

### Steel design



- Elegant, slim design
- Can be positioned as desired and provides a secure hold
- Adjustable cross dividers that can be adapted to the items stored, tool-free adjustment in the hole pattern
- Optional film/foil dispenser and knife holder
- Suitable for MERIVOBX drawers height M and K
- Can be used for nominal lengths of 270 to 600 mm
- Frame height 50 mm
- Material: Steel, powder-coated

### Ordering information

Drawer frame for nominal lengths of 270 mm or more						
	Nominal length (mm)	Width (mm)	SW-M	IG-M	OG-M	
		270–400	242	ZC7S300RSU		
Incl. magnet for connection to the drawer side or steel back						
Adapter profile for connection to chipboard back (optional)						
	Height	Width (mm)	SW-M	IG-M	OG-M	
	M	242	ZC7A0U0M			
	K	242	ZC7A0U0K			
Recommended from nominal length 350 mm						
Drawer frame						
	Nominal length (mm)	Width (mm)	SW-M	IG-M	OG-M	
	450	100	ZC7S450RS1			
	500	100	ZC7S500RS1			
	550	100	ZC7S550RS1			
	600	100	ZC7S600RS1			
		450	200	ZC7S450RS2		
		500	200	ZC7S500RS2		
		550	200	ZC7S550RS2		
	600	200	ZC7S600RS2			
	Cross divider					
	Height (mm)	Width (mm)	SW-M	IG-M	OG-M	
	50	100	ZC7Q010SS			
	50	200	ZC7Q020SS			
		50	242	ZC7Q0U0SS		



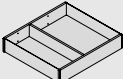
## Drawer frame

### Wood design

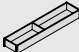
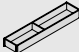
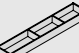


- Elegant, slim design
- Can be positioned as desired and provides a secure hold
- Adjustable cross dividers that can be adapted to the items stored, tool-free adjustment in the hole pattern
- Optional film/foil dispenser and knife holder
- Suitable for MERIVOBX drawers height M and K
- Can be used for nominal lengths of 270 to 600 mm
- Frame height 50 mm
- Material: Wood décor/steel




### Ordering information

Drawer frame for nominal lengths of 270 mm or more					
	Nominal length (mm)	Width (mm)	E01S/SW-M	E02G/OG-M	N01T/CS-M
		270-400	242	ZC7S300RHU	

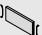
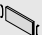

  

Drawer frame					
	Nominal length (mm)	Width (mm)	E01S/SW-M	E02G/OG-M	N01T/CS-M
		450	100	ZC7S450RH1	
500		100	ZC7S500RH1		
550		100	ZC7S550RH1		
	600	100	ZC7S600RH1		

Drawer frame					
	Nominal length (mm)	Width (mm)	E01S/SW-M	E02G/OG-M	N01T/CS-M
		450	200	ZC7S450RH2	
500		200	ZC7S500RH2		
550		200	ZC7S550RH2		
	600	200	ZC7S600RH2		

Cross divider with spring clamp					
	Height (mm)	Width (mm)	E01S	E02G	N01T
		50	100	ZC7Q010SH	
50		200	ZC7Q020SH		
	50	242	ZC7Q0U0SH		



## Frame for high fronted pull-outs



### Steel design



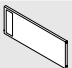
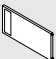
- Elegant, slim design
- Can be positioned as desired and provides a secure hold
- Adjustable cross dividers that can be adapted to the items stored, tool-free adjustment in the hole pattern
- Spice holder available as an option
- Suitable for MERIVOBX high fronted pull-out and inner pull-out, height E
- Can be used for nominal lengths of 270 to 600 mm
- Frame height 110 mm
- Material: Steel, powder-coated

### Ordering information

Frame for high fronted pull-outs					
	Nominal length (mm)	Width (mm)	SW-M	IG-M	OG-M
		270–600	242	ZC7F300RSU	
	400–600	218	ZC7F400RSP		

Adapter profile for connection to chipboard back (optional)					
	Height	Width (mm)	SW-M	IG-M	OG-M
		E	242	ZC7A0U0C	
	E	218	ZC7A0P0C		

Recommended from nominal length 350 mm

Cross divider					
	Height (mm)	Width (mm)	SW-M	IG-M	OG-M
		110	242	ZC7Q0U0FS	
	110	218	ZC7Q0P0FS		



## Frame for high fronted pull-outs



### Wood design



- Elegant, slim design
- Can be positioned as desired and provides a secure hold
- Adjustable cross dividers that can be adapted to the items stored, tool-free adjustment in the hole pattern
- Spice holder available as an option
- Suitable for MERIVOBX high fronted pull-out and inner pull-out, height E
- Can be used for nominal lengths of 270 to 600 mm
- Frame height 110 mm
- Material: Wood décor/steel

### Ordering information

Frame for high fronted pull-outs					
	Nominal length (mm)	Width (mm)	E01S/SW-M	E02G/OG-M	N01T/CS-M
		270-600	242	ZC7F300RHU	
	400-600	218	ZC7F400RHP		

Cross divider					
	Height (mm)	Width (mm)	E01S	E02G	N01T
		110	242	ZC7Q0U0FH	
	110	218	ZC7Q0P0FH		


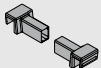
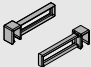
## AMBIA-LINE cross gallery

### Steel design



- Cross gallery made from aluminium for cutting to size
- Can be positioned as desired and provides a secure hold
- Suitable for MERIVOBOX high fronted pull-out and inner pull-out, height E

### Ordering information

Cross gallery for cutting to size				
	<b>Length (mm)</b>	SW-M	IG-M	OG-M
	1059	ZR4.1059U		
	Suitable for cabinet width KB up to 1200 mm			
For cutting to size				
Cutting:	Internal cabinet width LW - 111 mm			
Attachments				
		SW-M	IG-M	OG-M
	Gallery, gallery with design element, BOXCAP, E drawer side	ZC4U10E0		
	Design element BOXCOVER	ZC4U11E0		
Lateral divider				
	<b>Length (mm)</b>	SW-M	IG-M	OG-M
	84	ZC4U10F0		



## Bottle set

### Steel design

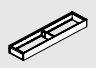





- Bottle set for combination with drawer frame, for nominal lengths of 450 mm or greater, steel design
- Can be positioned as desired and provides a secure hold
- Suitable for MERIVOBX high fronted pull-out, height E
- Installation height 140 mm (drawer frame with bottle set)
- Material: Steel, powder-coated

### Ordering information

Bottle set					
	Nominal length (mm)	Width (mm)	SW-M	IG-M	OG-M
		from 450	100	ZC7B0100S	
	450 or more	200	ZC7B0200S		

Not suitable for inner pull-outs.

Narrow drawer frame					
	Nominal length (mm)	Width (mm)	SW-M	IG-M	OG-M
		450	100	ZC7S450RS1	
	500	100	ZC7S500RS1		
	550	100	ZC7S550RS1		
	600	100	ZC7S600RS1		

Wide drawer frame					
	Nominal length (mm)	Width (mm)	SW-M	IG-M	OG-M
		450	200	ZC7S450RS2	
	500	200	ZC7S500RS2		
	550	200	ZC7S550RS2		
	600	200	ZC7S600RS2		

## Kitchen accessories



The attractive AMBIA-LINE kitchen accessories combine elegant design with well-conceived functionality. Holders for knives, plates and spices and a film/foil dispenser help to keep the kitchen tidy. Everything runs like clockwork because you have clear visibility of utensils in the pull-out and everything is immediately to hand.



### Kitchen accessories

Assembly, adjustment and removal


[www.blum.com/ambialine-accessories](http://www.blum.com/ambialine-accessories)

## Ordering information

### Knife holder

	Length (mm)	Width (mm)	OG-M
	409	187	<b>ZC7M0200</b>
For 9 knives			
For drawer height M and height K			
Nominal length 450 mm or more			


### Foil/film dispenser

	Length (mm)	Width (mm)	OG-M
	409	187	<b>ZC7C0000</b>
Dual dispenser, cling film and aluminium foil, with film/foil			<b>ZC7C0001</b>
Dual dispenser, cling film and aluminium foil, without film/foil			<b>ZC7C0001</b>
For drawer height M and height K			
Nominal length 450 mm or more			

### Spice holder

	Length (mm)	Width (mm)	OG-M
	356	205	<b>ZC7G0P01</b>
For high fronted pull-out, height E			

### Plate holder

	Plate Ø (mm)	Height of storage items	OG-M
	186–322	Up to 12 plates	<b>ZC7T0350</b>
For high fronted pull-out, height E			



Julius Blum GmbH  
Furniture Fittings Mfg.  
6973 Höchst, Austria  
Tel.: +43 5578 705-0  
Fax: +43 5578 705-44  
E-mail: [info@blum.com](mailto:info@blum.com)  
[www.blum.com](http://www.blum.com)

Our sites in Austria, Poland and China are certified to the international standards mentioned below.  
Our site in the USA is certified to ISO 9001.  
Our site in Brazil is certified to ISO 9001, ISO 14001 and ISO 45001.



Look for our  
FSC™-certified  
products

All content is copyrighted by Blum.  
Subject to technical modifications and changes to the range without notice.  
IDNR: 000.000.0 · EP-530/2 EN-AL/05.22